

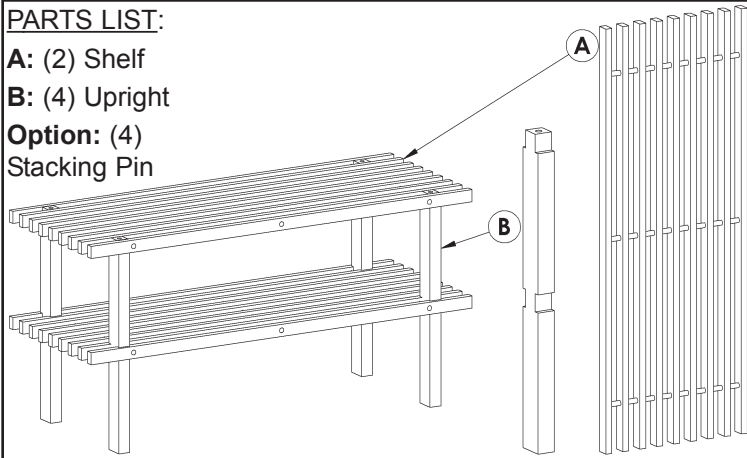
ASSEMBLY INSTRUCTIONS: Two-Tier Shelf

PARTS LIST:

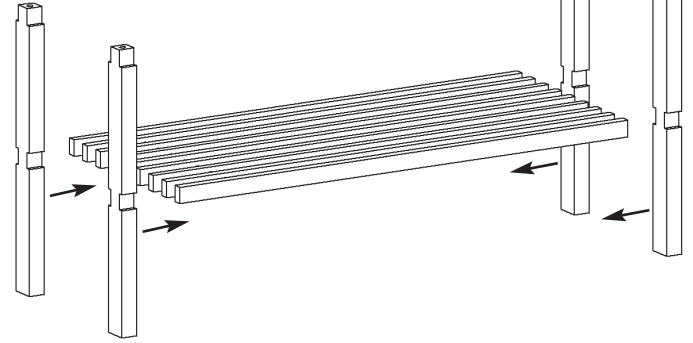
A: (2) Shelf

B: (4) Upright

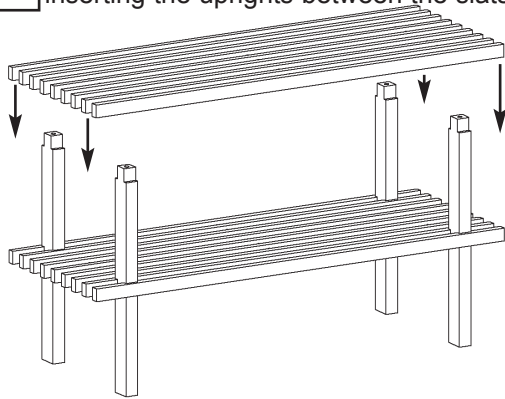
Option: (4)
Stacking Pin



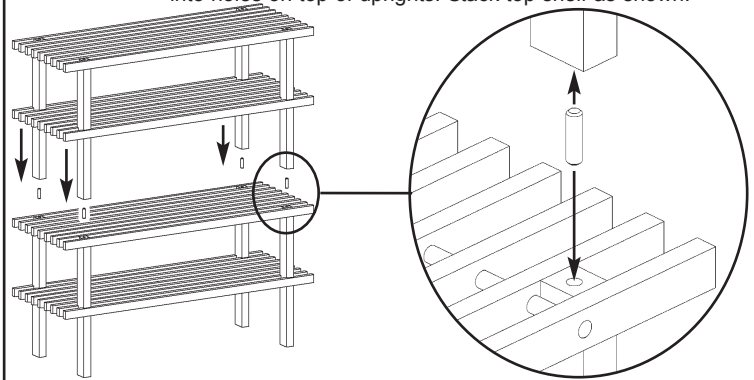
Step 1 Firmly insert the four(4) **B:Uprights** between the end slats of the first **A:Shelf**. Uprights must be in same direction - notched end up.



Step 2 Position second **A:Shelf** on top of the **B:Uprights**, inserting the uprights between the slats.



Option If you purchased two or more units, utilize the included stacking pins to stack shelves. Insert the four(4) Stacking Pins into holes on top of uprights. Stack top shelf as shown.



Two-Tier Shelf

If you have any questions, please call us toll free at 1-800-733-5965

©2003 LYNK®, INC.