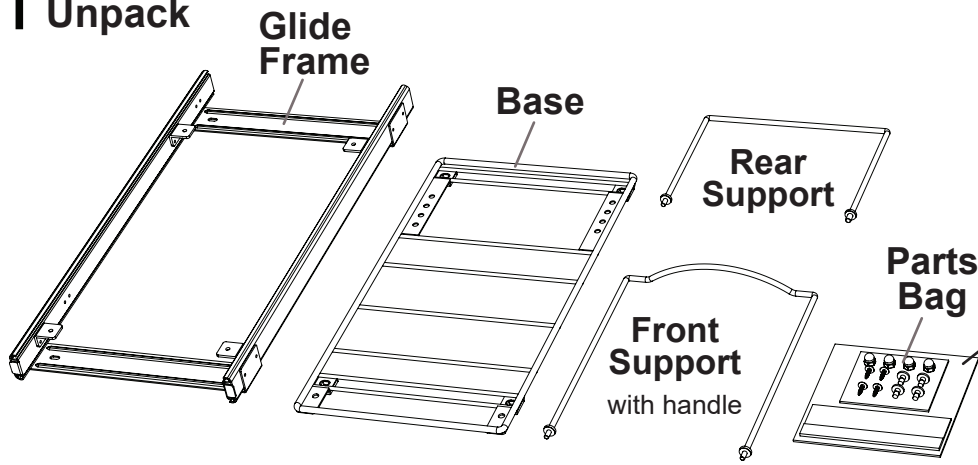






1 Unpack

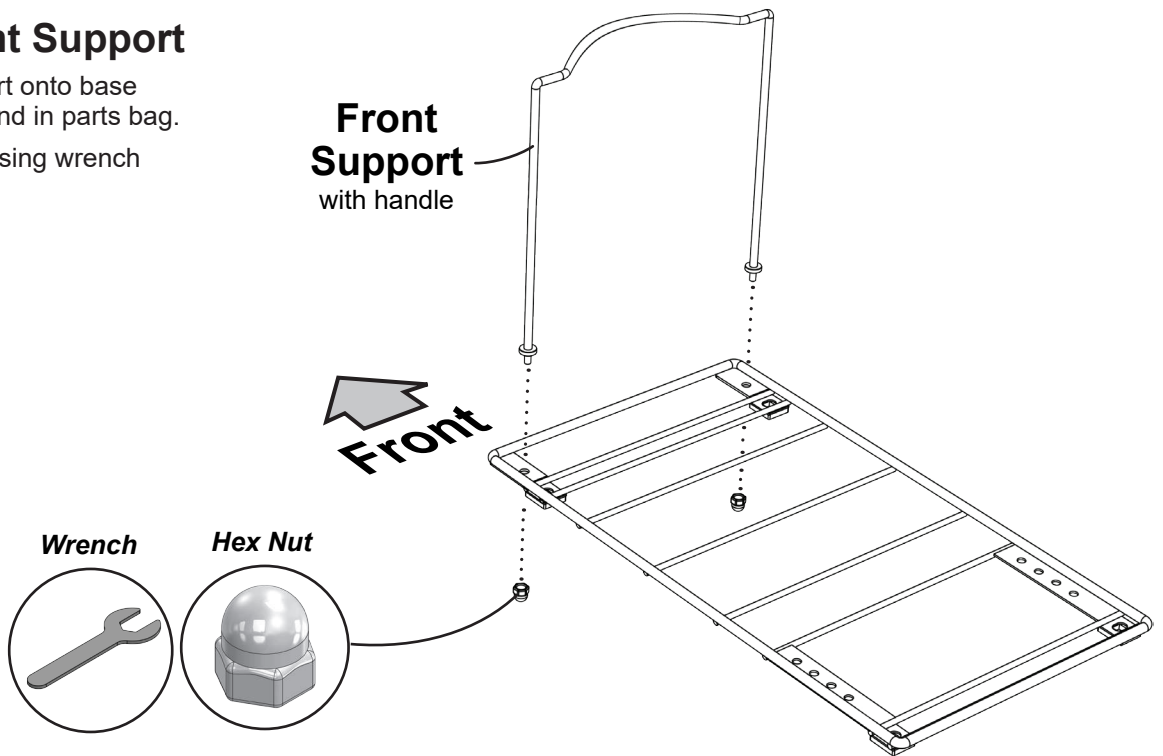


Parts Bag Includes:

-  Hex Nut (4x)
-  Mounting Screw (4x)
-  Wood Screw (4x)
-  Wrench
- Instructions
- Alignment Guide

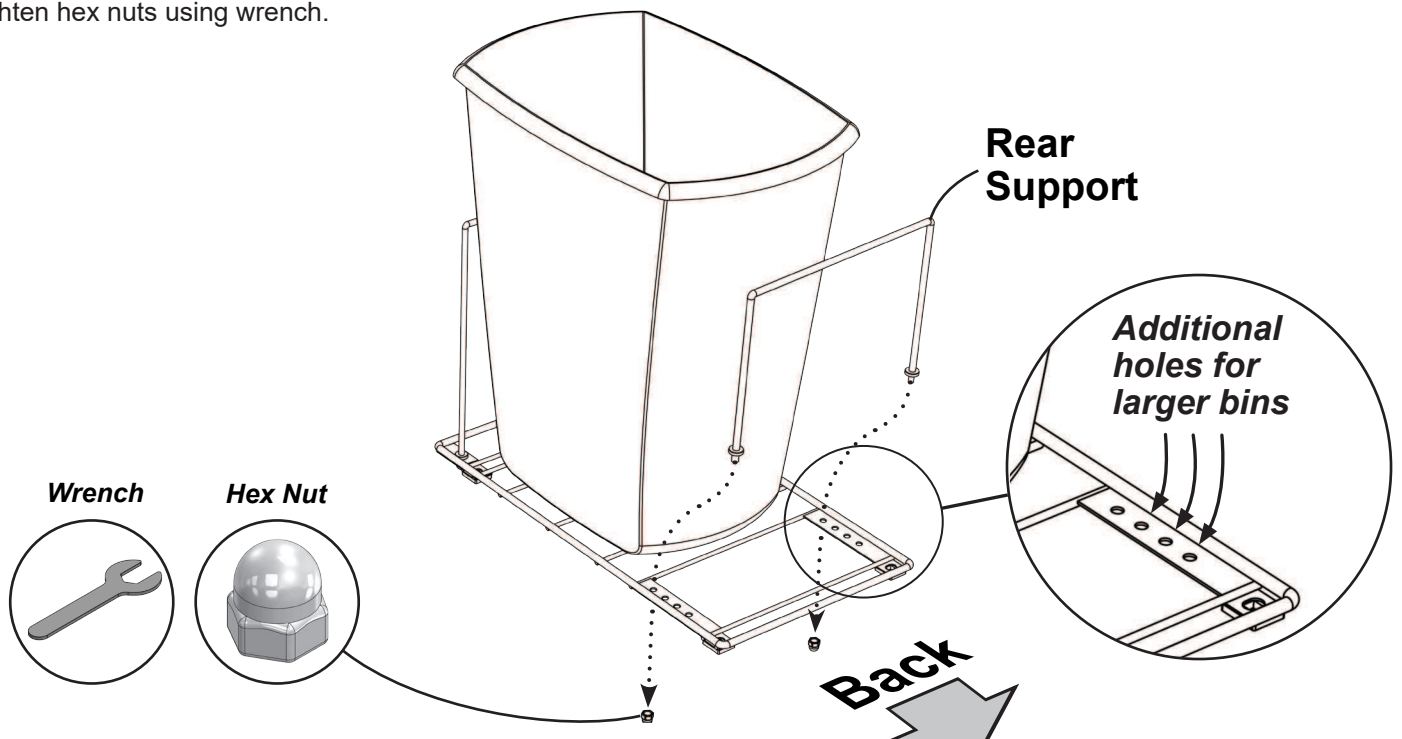
2 Attach Front Support

Attach front support onto base using hex nuts found in parts bag.
Tighten hex nuts using wrench found in parts bag.



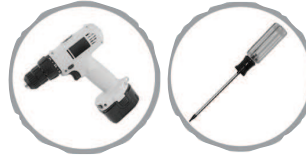
3 Attach Rear Support

Place bin at the front of base to identify rear holes that match bin size.
Attach rear support into holes that match bin size using hex nuts.
Tighten hex nuts using wrench.



4 Mounting the Glide Frame

Move inner glide rails slightly forward as shown. ✖
Mount glide frame into cabinet using alignment guide and wood screws found in parts bag (install front screws first).

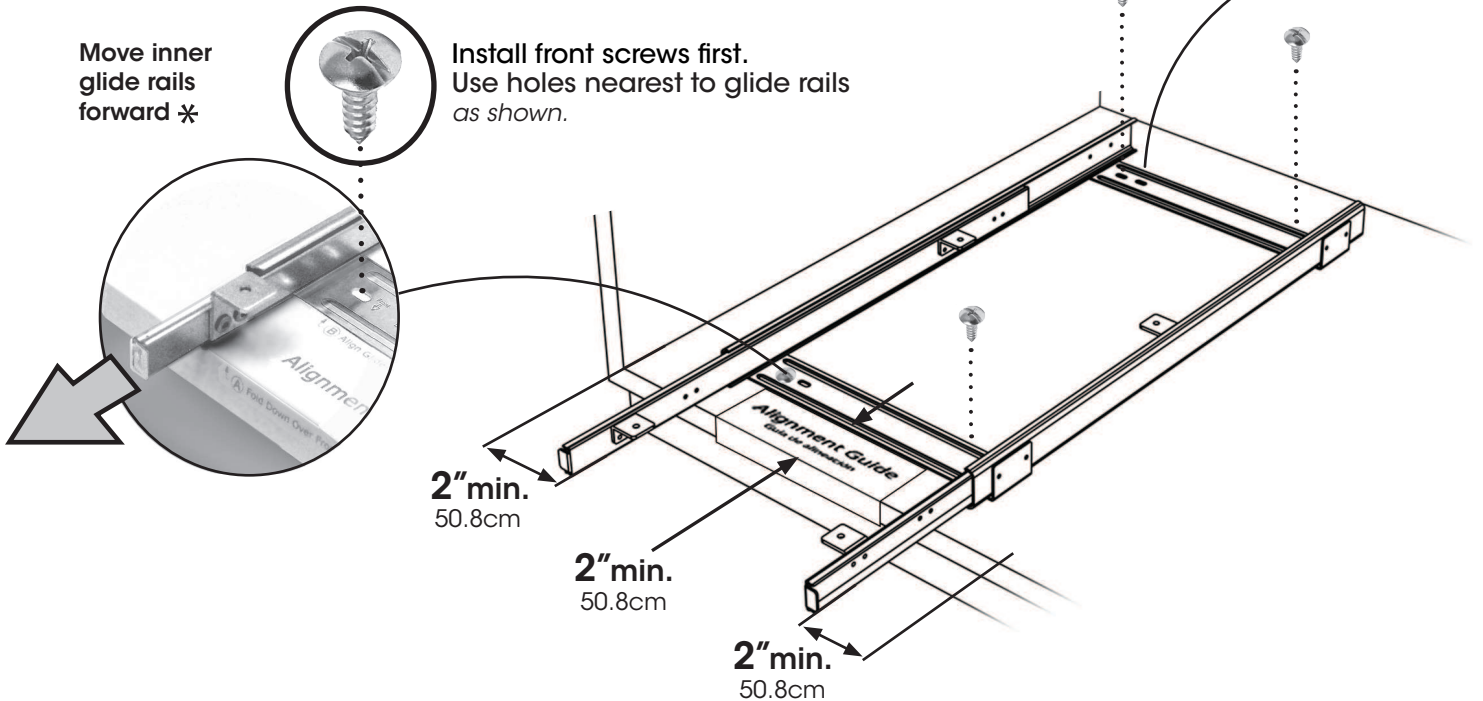


Recommended:

Use of a Power Screwdriver
Drill 4 starter holes using a 1/8" diameter drill bit

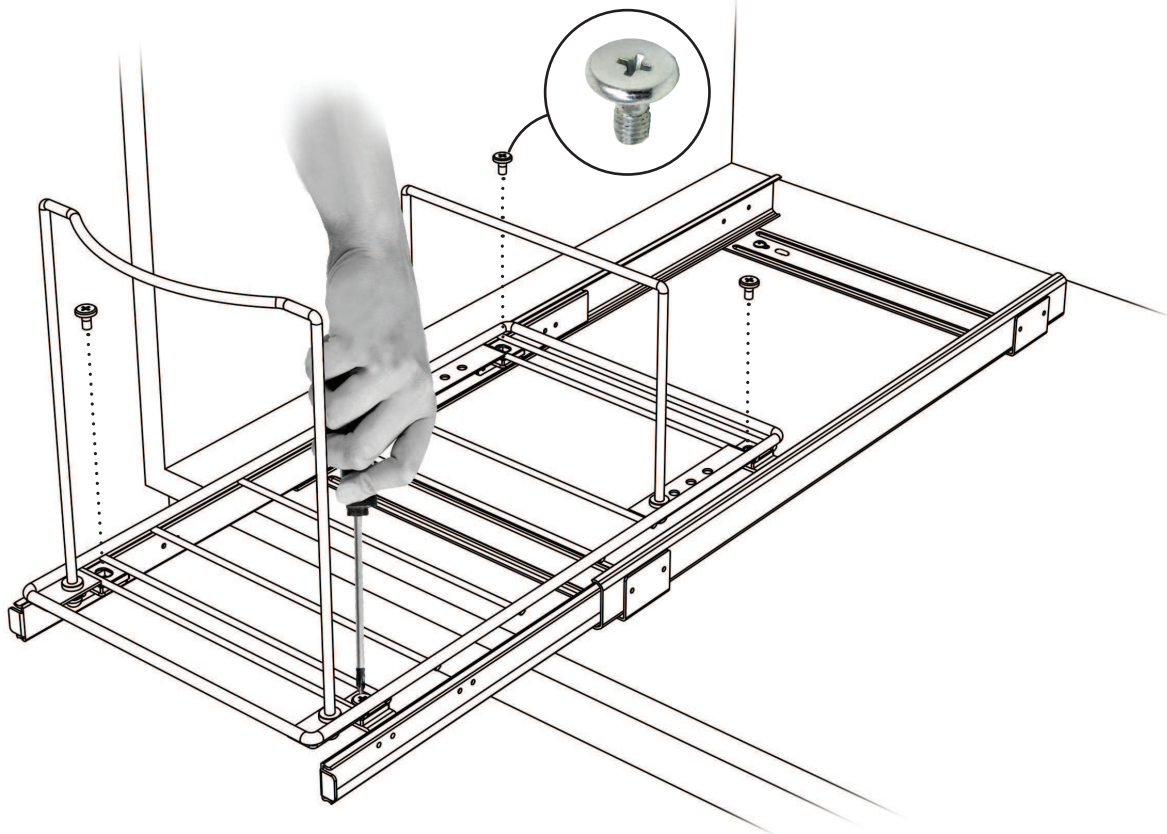
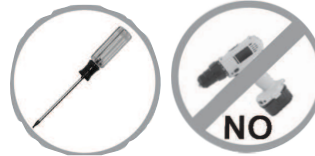
Optional:

Use 2 extra screws in back for large bins



5 Attach Assembled Base and Supports

Mount assembled base and supports to glide frame using mounting screws found in parts bag.
Tighten until snug.



If you have questions, please call 800-733-5965

www.lynkinc.com

LIMITED WARRANTY AND DISCLAIMER OF LIABILITY

The manufacturer warrants this product against defects in manufacturing and workmanship for a period of ninety (90) days from the date of purchase. For questions, call (800) 733-5965 for customer service.

MANUFACTURER DISCLAIMS ALL OTHER WARRANTIES, EITHER EXPRESS OR IMPLIED, INCLUDING BUT NOT LIMITED TO IMPLIED WARRANTIES OF MERCHANTABILITY AND FITNESS FOR A PARTICULAR PURPOSE WITH REGARD TO THE PRODUCT. IN NO EVENT SHALL MANUFACTURER BE LIABLE FOR ANY SPECIAL, INCIDENTAL, INDIRECT, OR CONSEQUENTIAL DAMAGES WHATSOEVER (INCLUDING, WITHOUT LIMITATION, DAMAGES FOR LOSS OF BUSINESS PROFITS, INJURY TO PERSON OR PROPERTY, OR ANY OTHER INCIDENTAL, CONSEQUENTIAL OR PECUNIARY LOSS), OR FOR ATTORNEY'S FEES OR COSTS, ARISING OUT OF THE USE OR OPERATION OF THE PRODUCT.