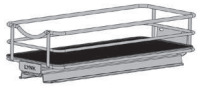


Parts



430421 Slide Out Spice Rack



430521 Slide Out 2 Tier Spice Rack

Tools Needed

Ruler

Pencil

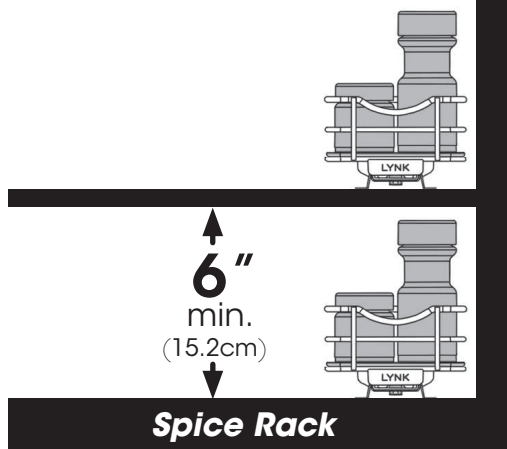
3/32" Drill Bit

Power Drill

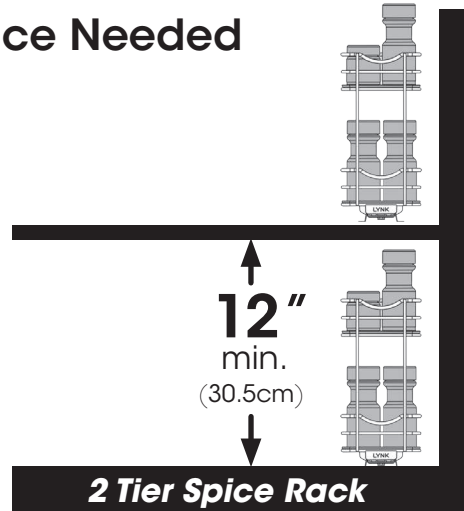


Phillips Screwdriver

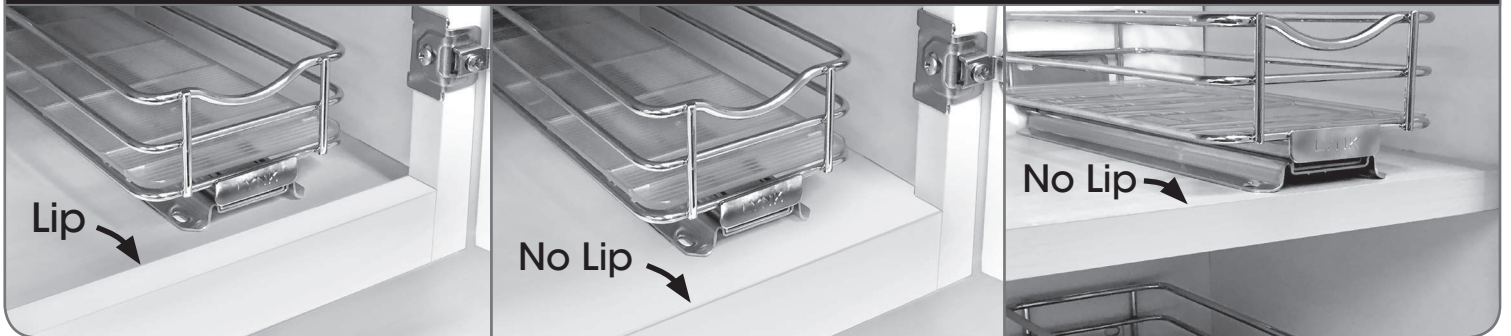
Space Needed



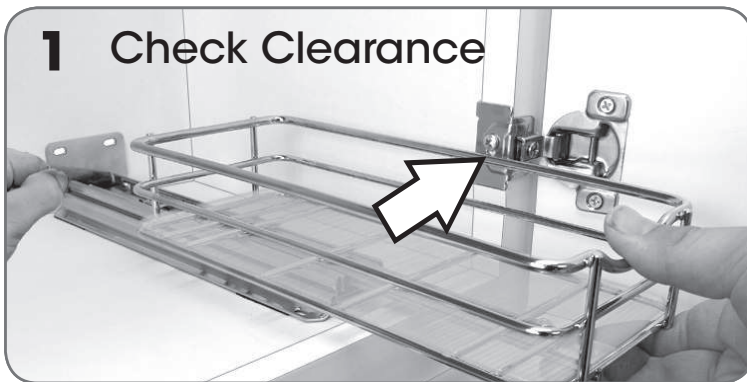
Space Needed



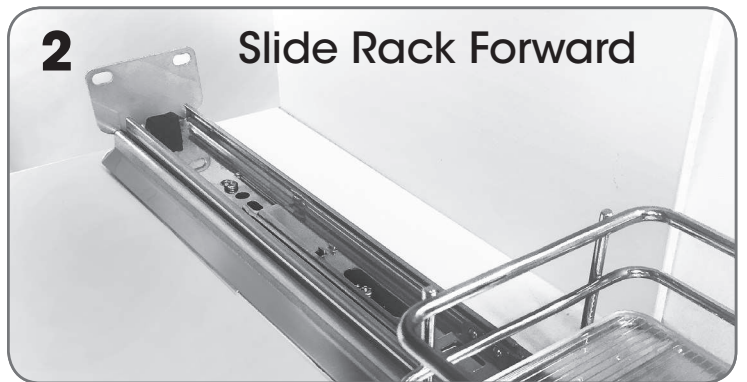
Types of Installation



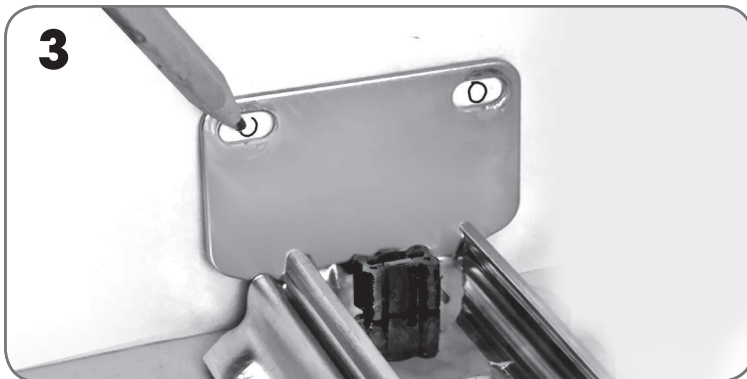
1 Check Clearance



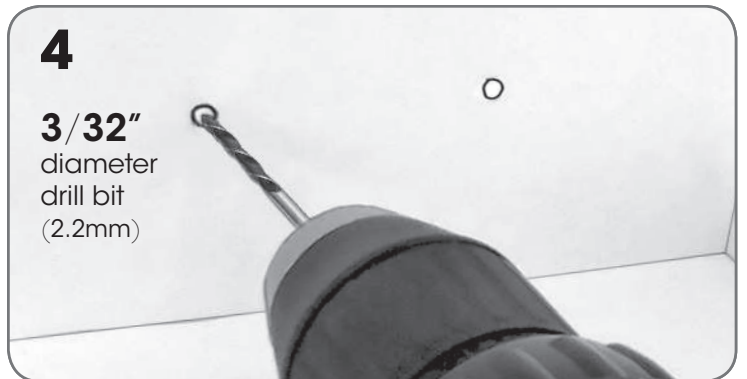
2 Slide Rack Forward



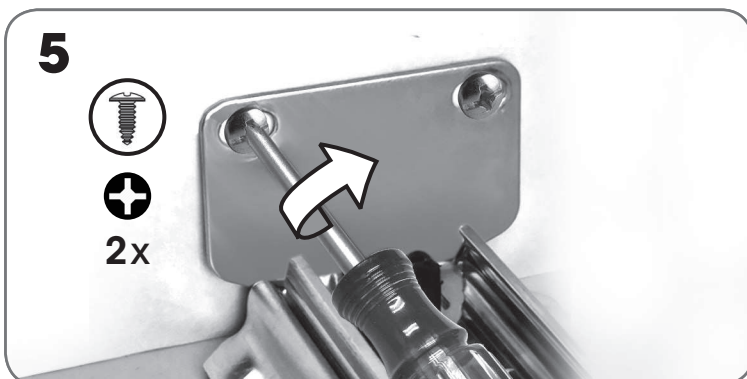
3



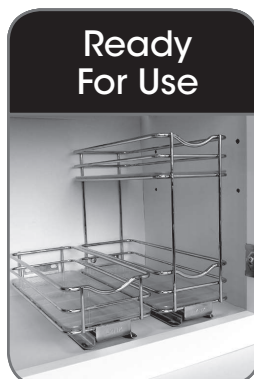
4



5



Ready For Use



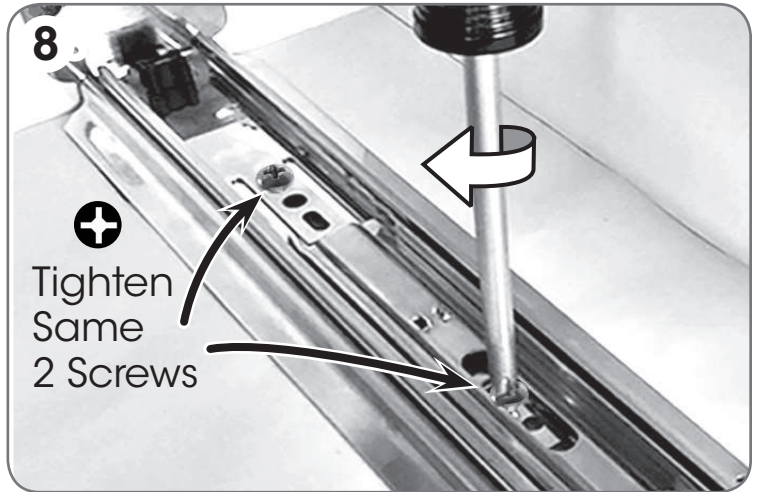
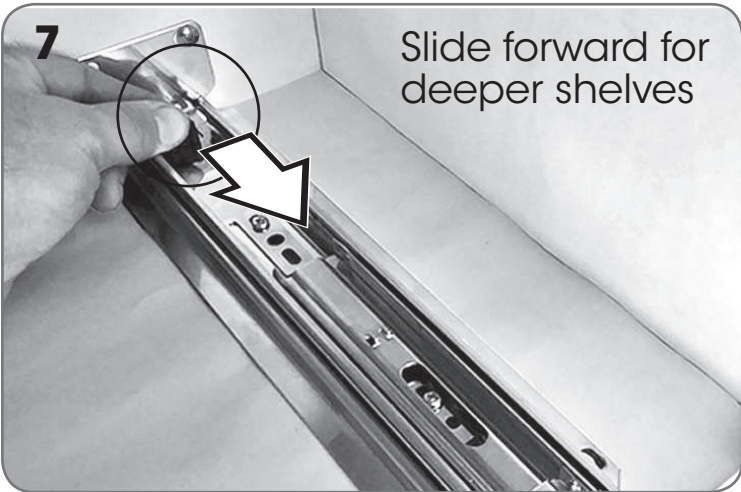
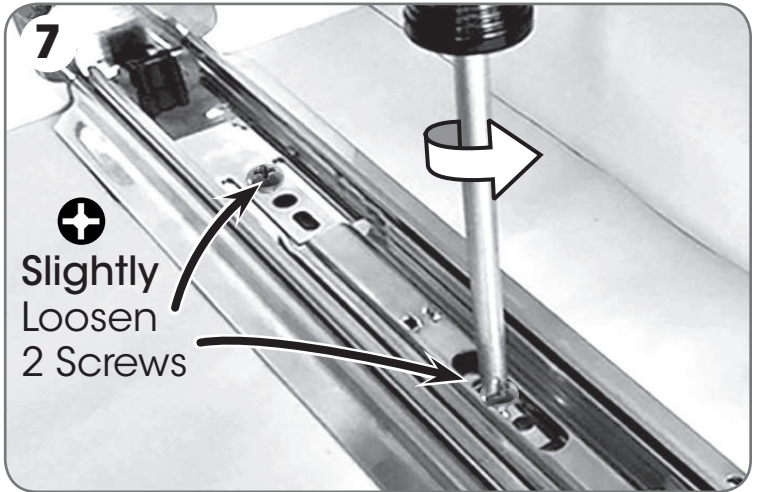
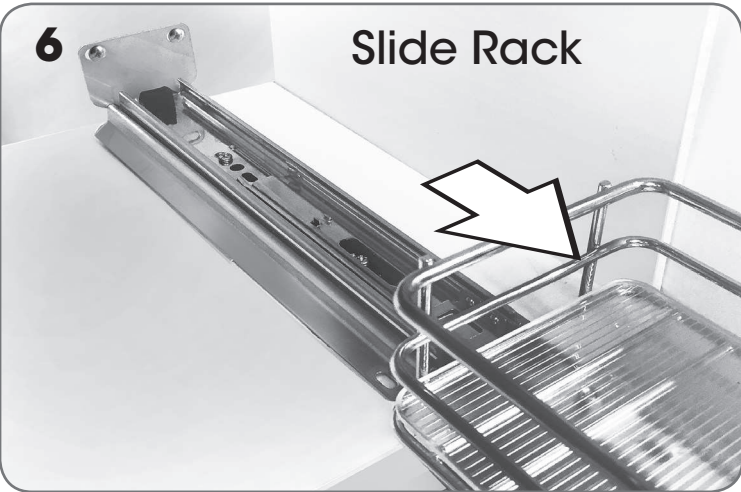
Optional

Steps For Deeper Shelves

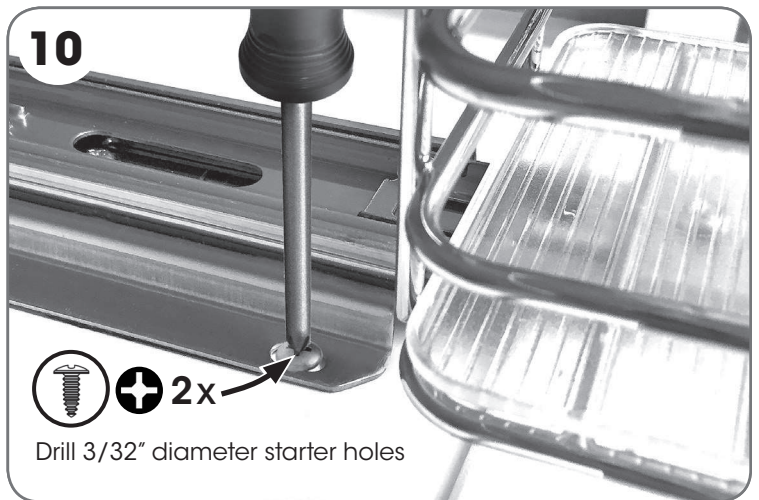
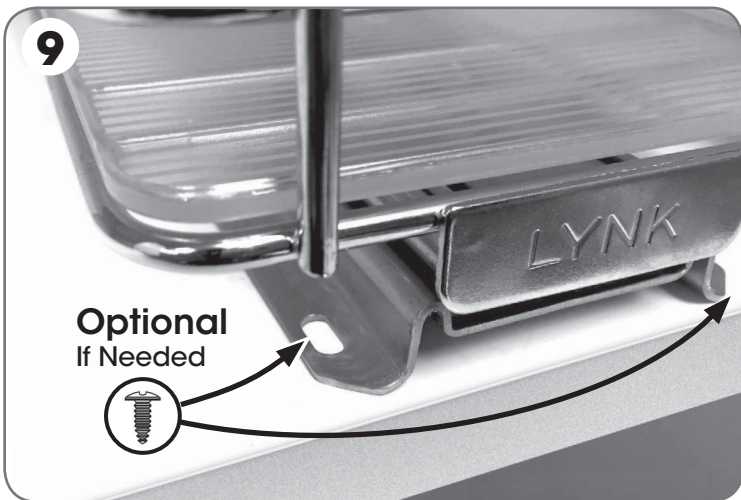
Next page

Optional Steps For Deeper Shelves

To align closer to the fronts of upper cabinets and shelves



Optional Attachment



If you have questions,
Call 800-733-5965

lynkinc.com



LIMITED WARRANTY AND DISCLAIMER OF LIABILITY

The manufacturer warrants this product against defects in manufacturing and workmanship for a period of ninety (90) days from the date of purchase. For questions, call (800) 733-5965 for customer service.

MANUFACTURER DISCLAIMS ALL OTHER WARRANTIES, EITHER EXPRESS OR IMPLIED, INCLUDING BUT NOT LIMITED TO IMPLIED WARRANTIES OF MERCHANTABILITY AND FITNESS FOR A PARTICULAR PURPOSE WITH REGARD TO THE PRODUCT. IN NO EVENT SHALL MANUFACTURER BE LIABLE FOR ANY SPECIAL, INCIDENTAL, INDIRECT, OR CONSEQUENTIAL DAMAGES WHATSOEVER (INCLUDING, WITHOUT LIMITATION, DAMAGES FOR LOSS OF BUSINESS PROFITS, INJURY TO PERSON OR PROPERTY, OR ANY OTHER INCIDENTAL, CONSEQUENTIAL OR PECUNIARY LOSS), OR FOR ATTORNEY'S FEES OR COSTS, ARISING OUT OF THE USE OR OPERATION OF THE PRODUCT.