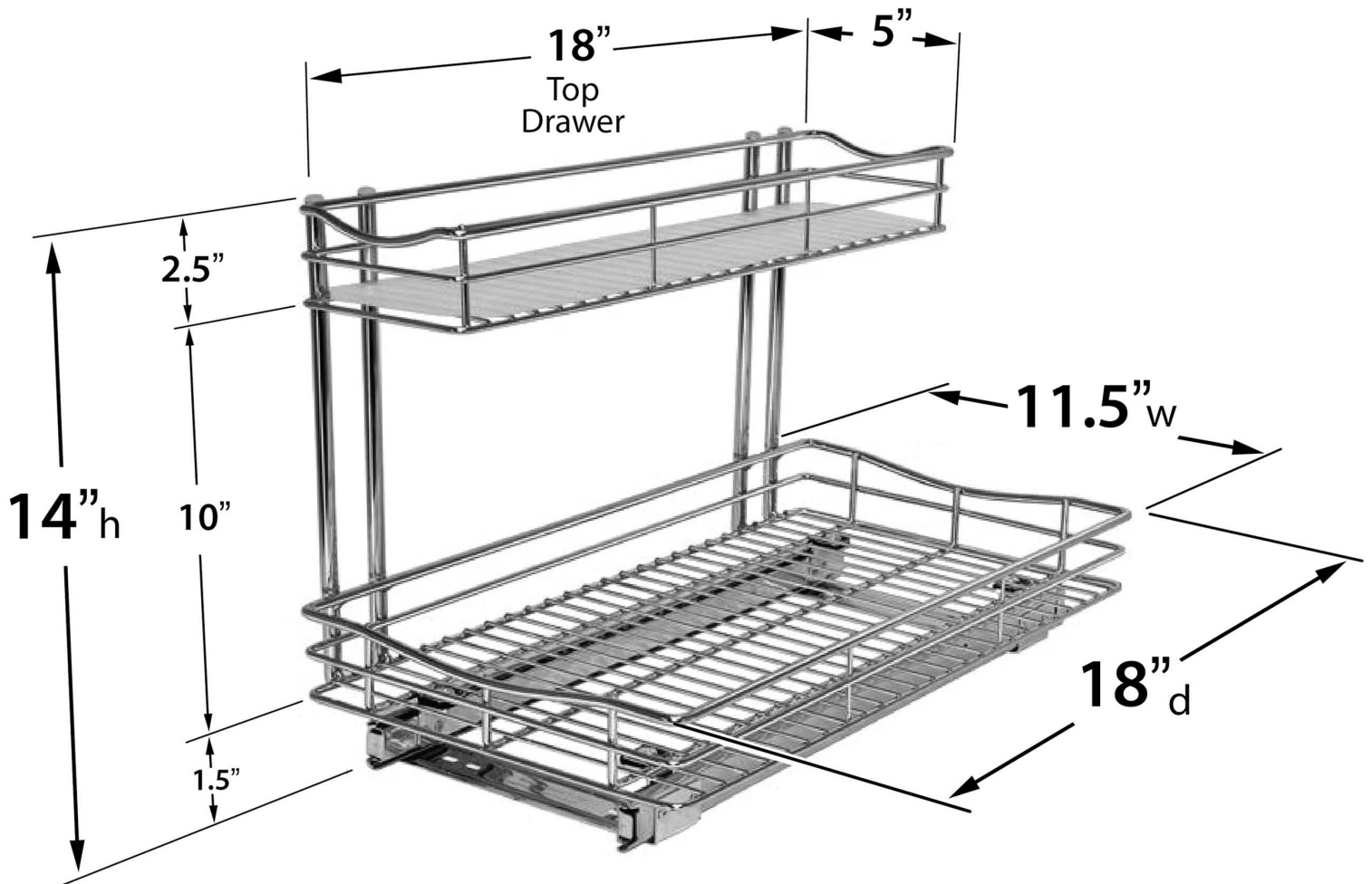
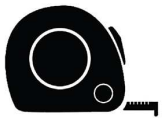




Lynk 11x18 Undersink Drawer #451118





Minimum width, height and depth required for this drawer allowing for hinges, plumbing, etc.

Refer to actual product dimensions for proper fit.



Mount Glide

Just 4 screws
(included)

Attach Undersink Drawer