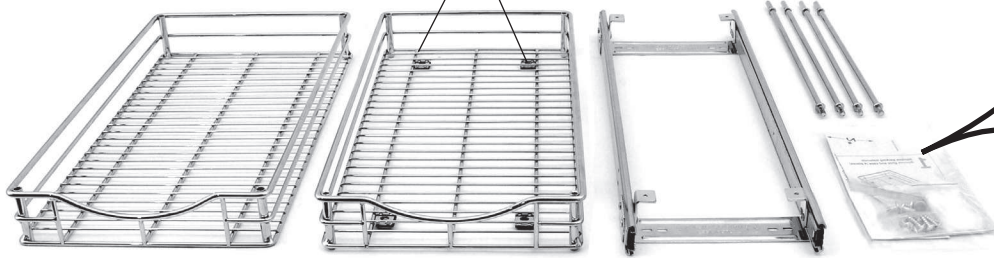


**1**

Lower Drawer Indicated by  
Mounting Plates



**Parts Bag**



Mounting  
Screws (4)



Wood  
Screws (6)

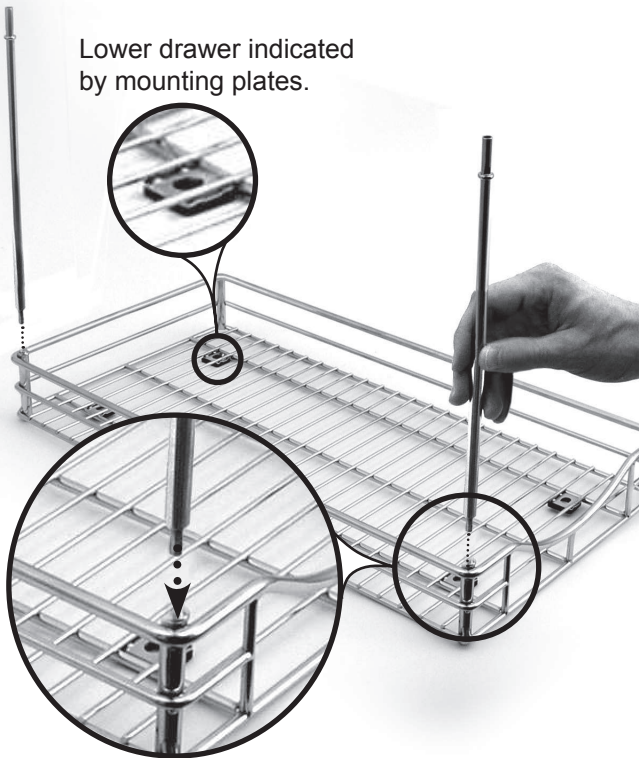
● Instructions

● Alignment  
Guide

**2**

**Insert Rods**  
into lower drawer (4 places)

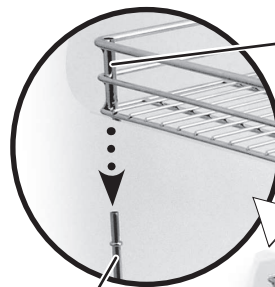
Lower drawer indicated  
by mounting plates.



**3**

**Slide Upper Drawer...**  
onto tops of rods until upper  
drawer is fully in place

**Corner  
Tube**

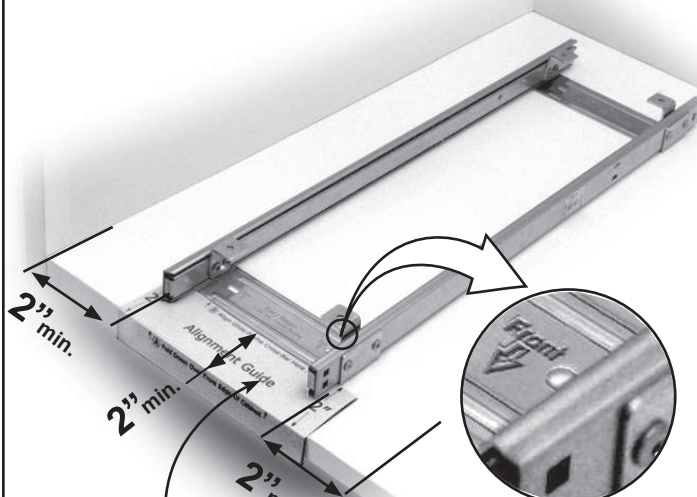


**Rod**

Note: Face drawer fronts  
in same direction.



**Align Glide Frame**  
in cabinet using Alignment Guide found  
in parts bag



**Alignment  
Guide**

Make sure  
arrows are  
pointing to  
the front of  
the cabinet.

**5**


**Check For Clearance**

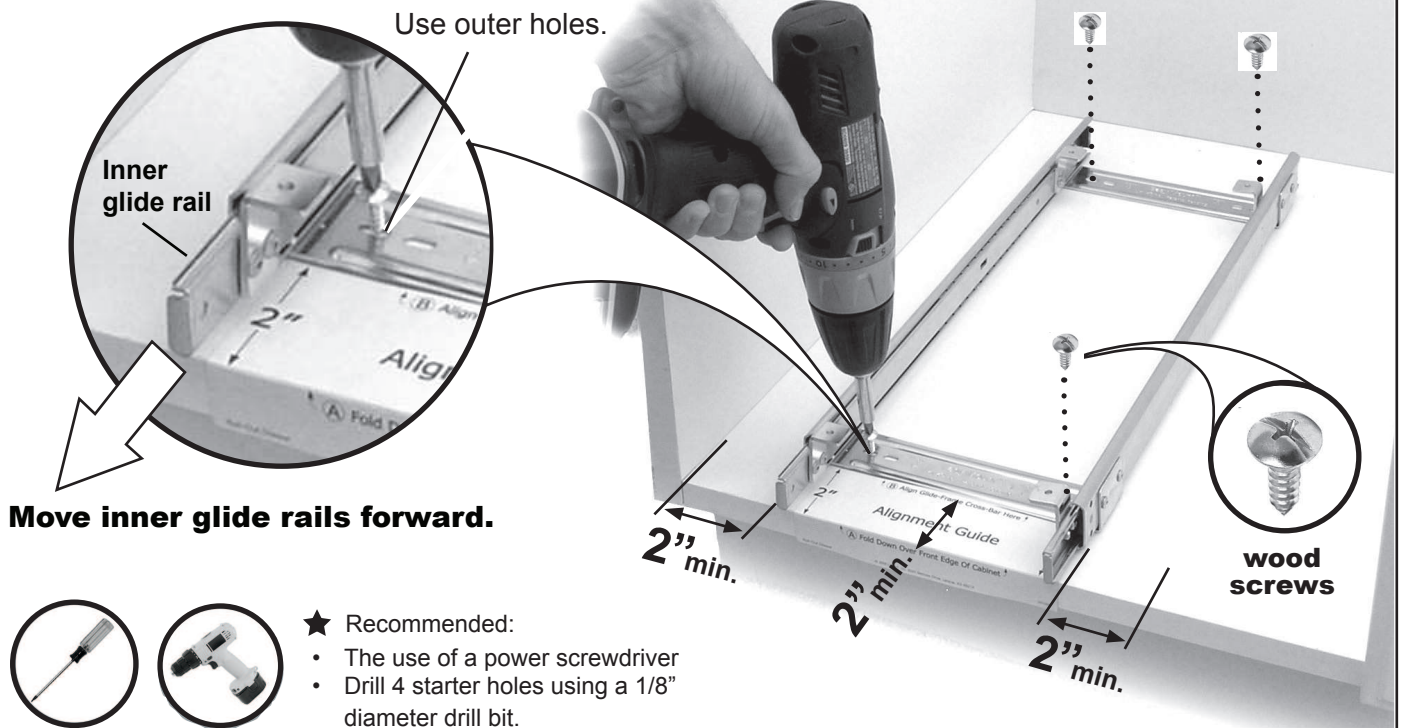
Temporarily place drawer from  
step 3 onto glide frame with holes  
in drawer and glide aligned.




Check for adequate clearance  
around cabinet and doors  
(Adjust glide frame position as needed.)

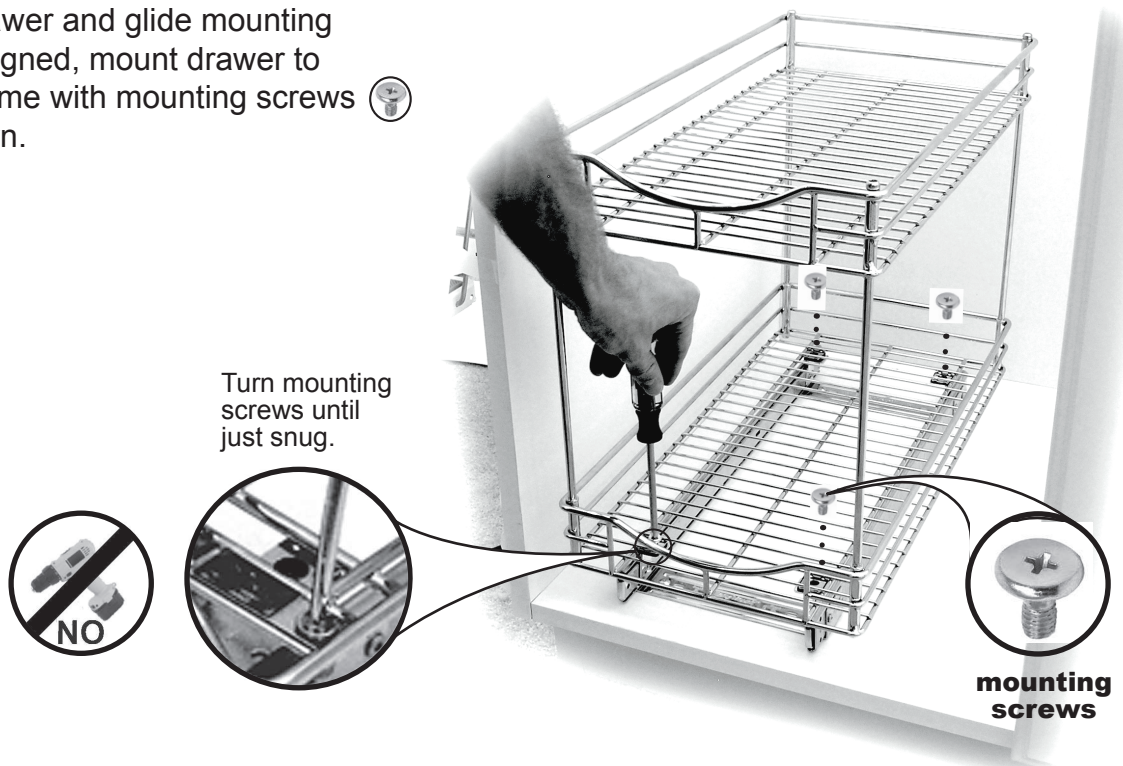
## 6 Install Glide Frame

- Remove drawer from glide frame
- Move **inner glide rails** slightly forward as shown
- Install glide frame into cabinet using wood screws  found in parts bag. (Install front screws first).



## 7 Mount Drawer to Glide Frame

- With drawer and glide mounting holes aligned, mount drawer to glide frame with mounting screws  as shown.



### LIMITED WARRANTY AND DISCLAIMER OF LIABILITY

The manufacturer warrants this product against defects in manufacturing and workmanship for a period of ninety (90) days from the date of purchase. For questions, call (800) 733-5965 for customer service.

MANUFACTURER DISCLAIMS ALL OTHER WARRANTIES, EITHER EXPRESS OR IMPLIED, INCLUDING BUT NOT LIMITED TO IMPLIED WARRANTIES OF MERCHANTABILITY AND FITNESS FOR A PARTICULAR PURPOSE WITH REGARD TO THE PRODUCT. IN NO EVENT SHALL MANUFACTURER BE LIABLE FOR ANY SPECIAL, INCIDENTAL, INDIRECT, OR CONSEQUENTIAL DAMAGES WHATSOEVER (INCLUDING, WITHOUT LIMITATION, DAMAGES FOR LOSS OF BUSINESS PROFITS, INJURY TO PERSON OR PROPERTY, OR ANY OTHER INCIDENTAL, CONSEQUENTIAL OR PECUNIARY LOSS), OR FOR ATTORNEY'S FEES OR COSTS, ARISING OUT OF THE USE OR OPERATION OF THE PRODUCT.