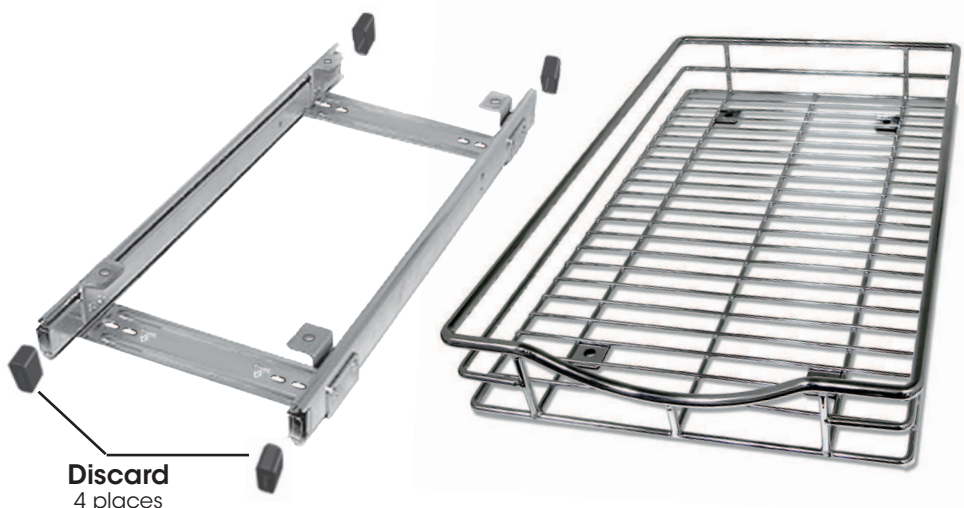


1

Glide Frame

Drawer



Discard
4 places

Parts Bag Includes



Mounting
Screws (4)



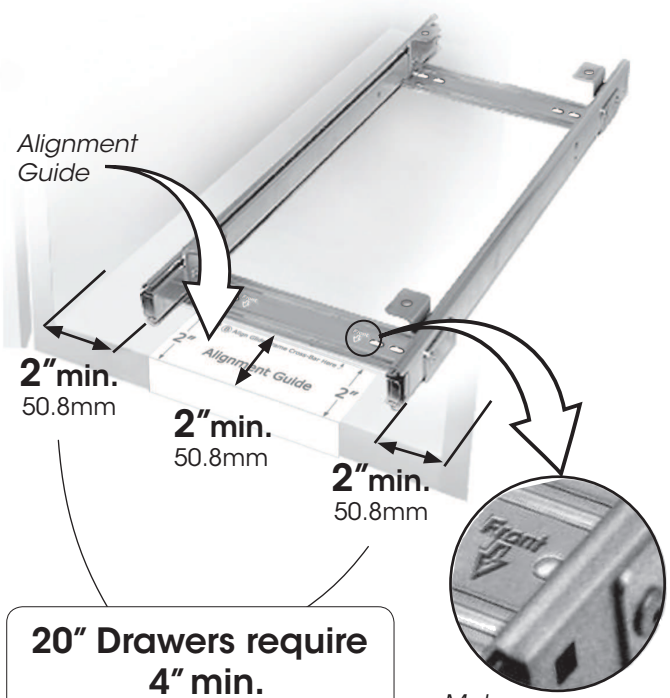
Wood
Screws (4)

- Instructions
- Alignment Guide

2

Aligning Glide Frame

Align glide frame in cabinet as shown using alignment guide found in parts bag



**20" Drawers require
4" min.
101.6mm
clearance on sides**

Make sure arrows
are pointing to the
front of the cabinet

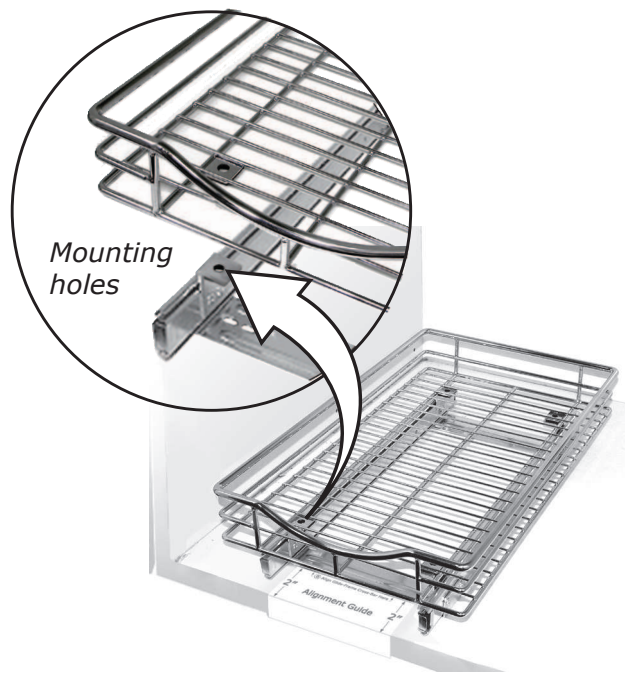
3

Checking Cabinet Clearance

Set drawer onto glide frame with holes in drawer and glide aligned

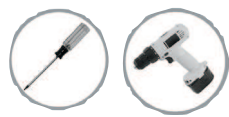
Check for adequate cabinet and door clearance

Adjust glide frame position if needed



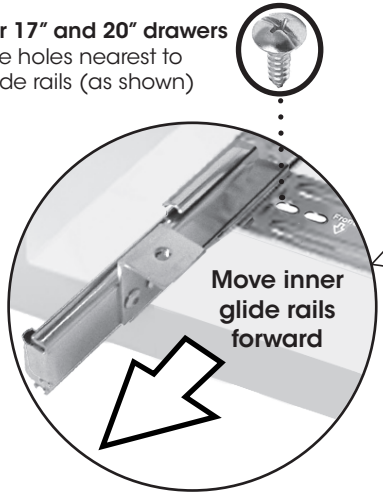
4 Mounting Glide Frame

Remove drawer from glide frame
 Move inner glide rails slightly forward as shown
 Mount glide frame into cabinet using wood screws found in parts bag (install front screws first)

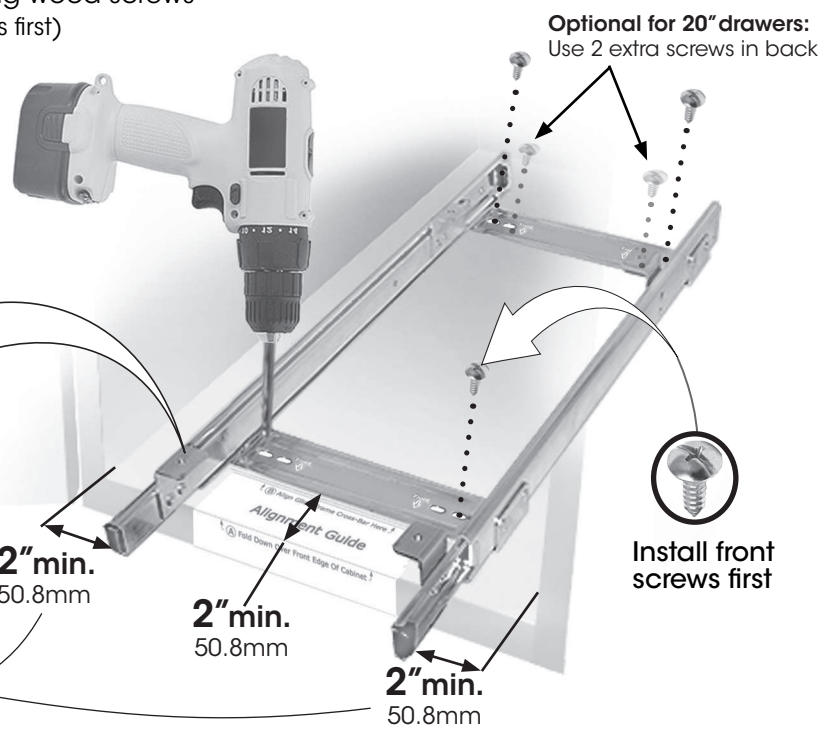


Recommended:
 Use of a Power Screwdriver
 Drill 4 starter holes using a 1/8" diameter drill bit

For 17" and 20" drawers
 Use holes nearest to glide rails (as shown)

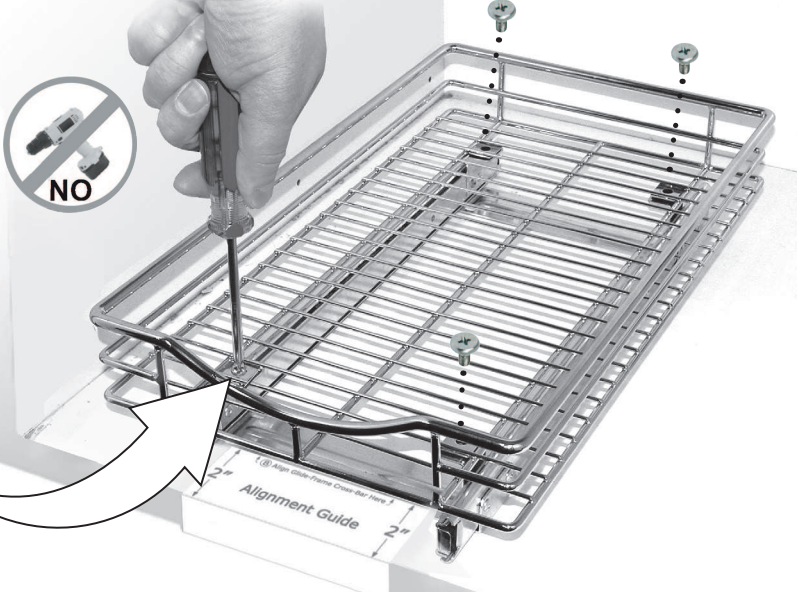


20" Drawers require 4" min. 101.6mm clearance on sides



5 Attaching Drawer

Set drawer back onto glide frame with drawer and glide mounting holes aligned
 Attach drawer by gently tightening drawer mounting screws as shown



LIMITED WARRANTY AND DISCLAIMER OF LIABILITY

The manufacturer warrants this product against defects in manufacturing and workmanship for a period of ninety (90) days from the date of purchase. For questions, call (800) 733-5965 for customer service.

MANUFACTURER DISCLAIMS ALL OTHER WARRANTIES, EITHER EXPRESS OR IMPLIED, INCLUDING BUT NOT LIMITED TO IMPLIED WARRANTIES OF MERCHANTABILITY AND FITNESS FOR A PARTICULAR PURPOSE WITH REGARD TO THE PRODUCT. IN NO EVENT SHALL MANUFACTURER BE LIABLE FOR ANY SPECIAL, INCIDENTAL, INDIRECT, OR CONSEQUENTIAL DAMAGES WHATSOEVER (INCLUDING, WITHOUT LIMITATION, DAMAGES FOR LOSS OF BUSINESS PROFITS, INJURY TO PERSON OR PROPERTY, OR ANY OTHER INCIDENTAL, CONSEQUENTIAL OR PECUNIARY LOSS), OR FOR ATTORNEY'S FEES OR COSTS, ARISING OUT OF THE USE OR OPERATION OF THE PRODUCT.