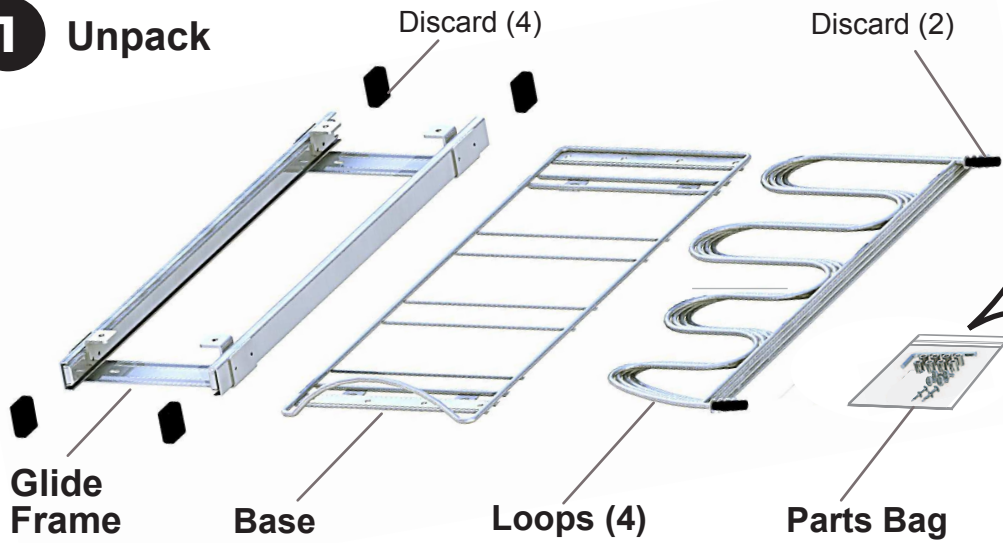






1 Unpack

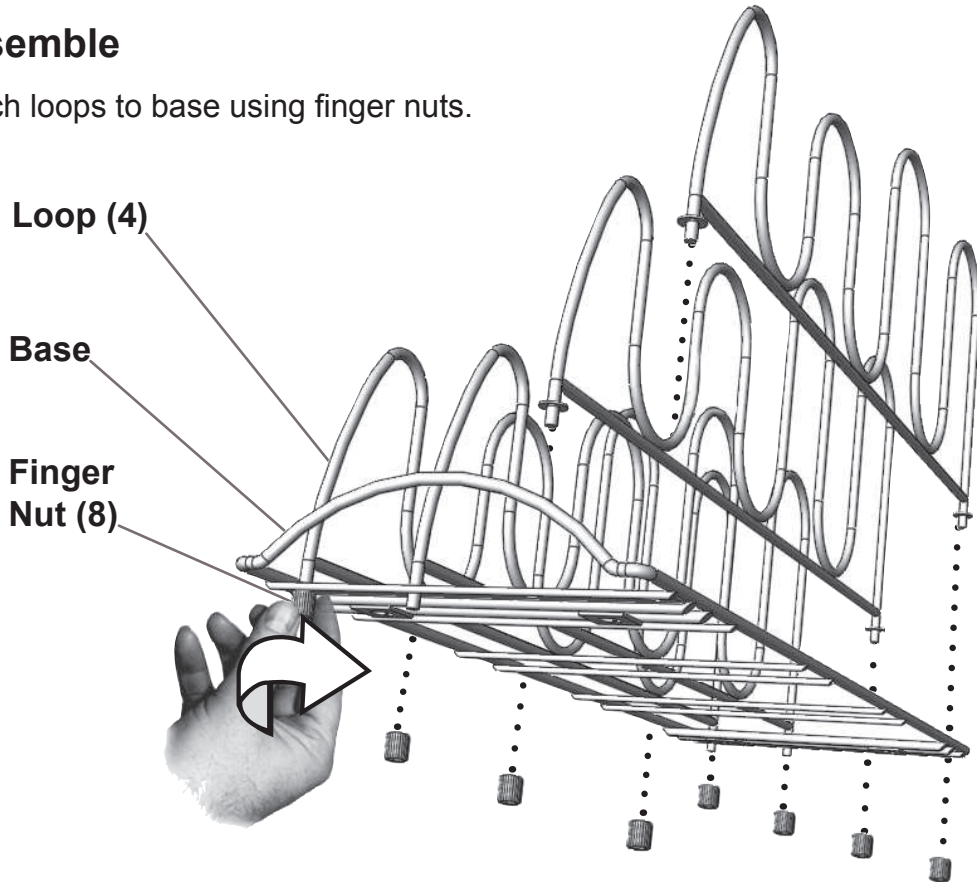


Parts Bag Includes:

-  Finger Nuts (8)
-  Mounting Screws (4)
-  Wood Screws (4)
-  Tool
- Instructions
- Alignment Guide

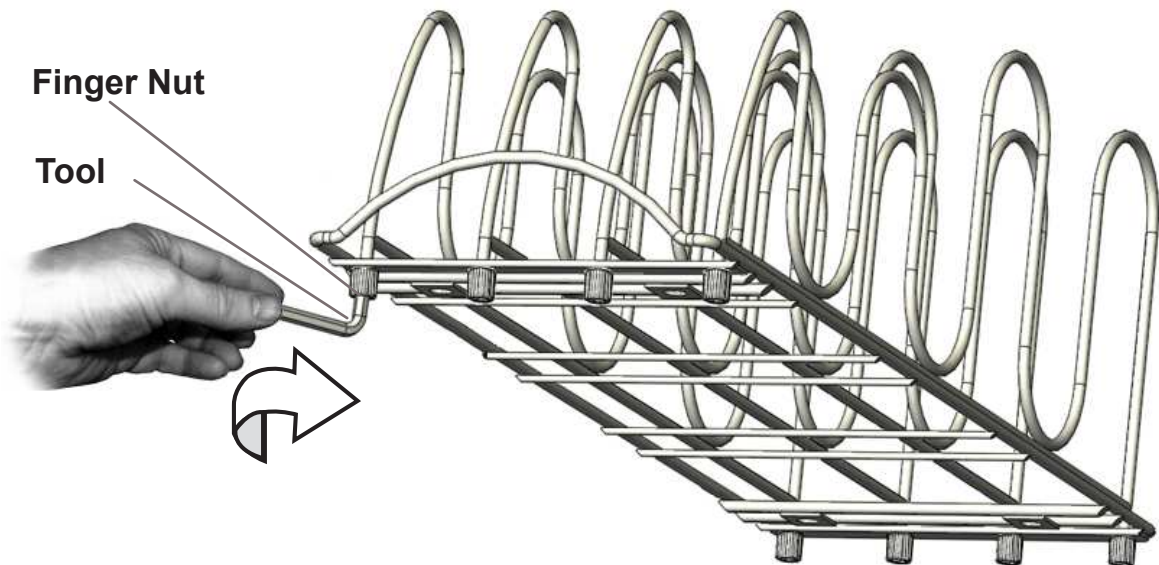
2 Assemble

Attach loops to base using finger nuts.



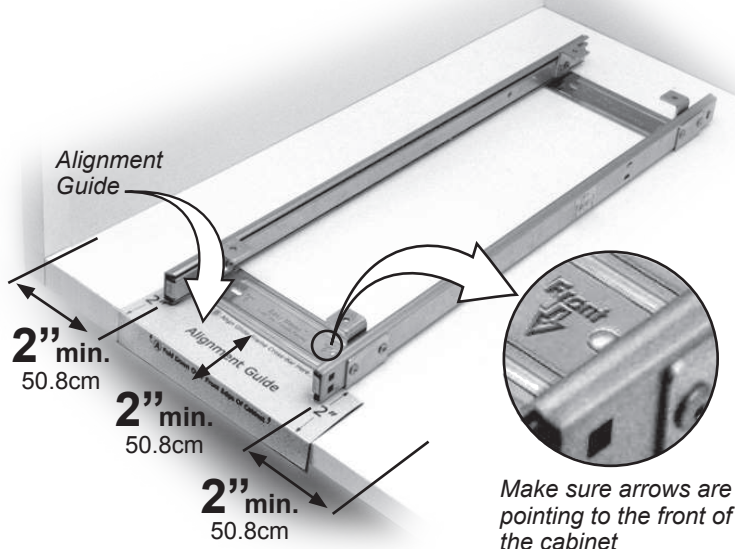
3 Tighten

Using tool provided, securely tighten finger nuts.



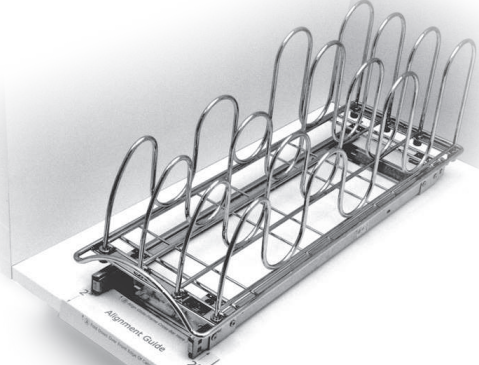
4 Aligning Glide Frame

Align glide frame in cabinet as shown using alignment guide found in parts bag



5 Checking Cabinet Clearance

Set the assembled loops and base onto glide frame with mounting holes aligned

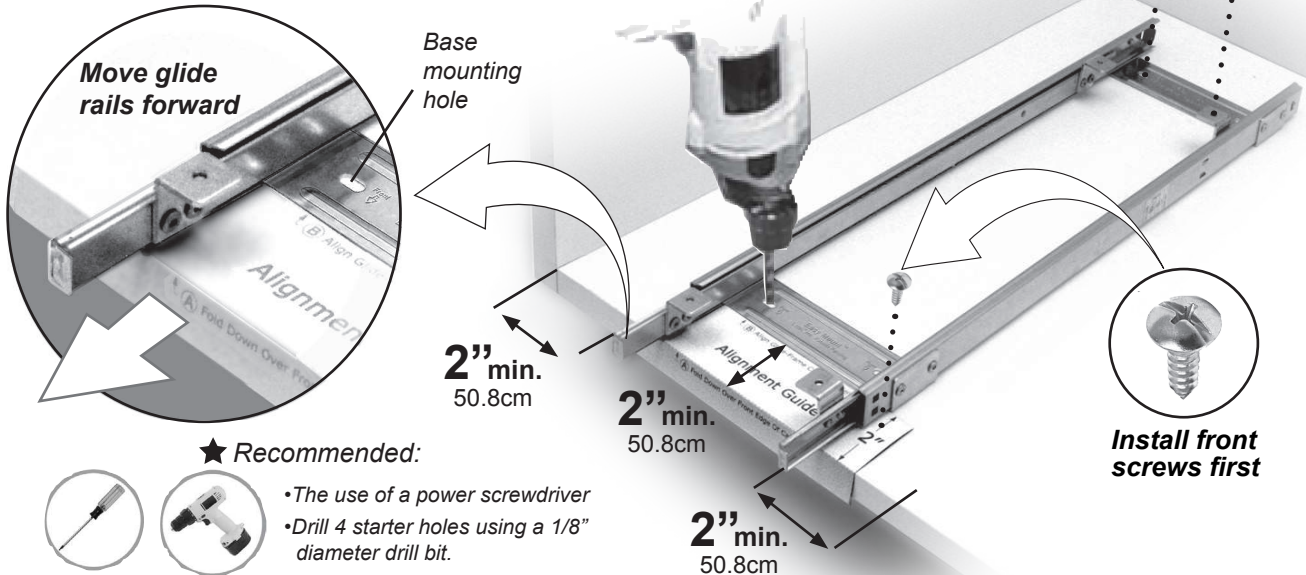


Check for adequate cabinet and door clearance

Adjust glide frame position if needed

6 Mounting Glide Frame

Remove assembled loops from glide frame
Move inner glide rails slightly forward as shown
Mount glide frame into cabinet using wood screws found in parts bag



★ Recommended:



- The use of a power screwdriver
- Drill 4 starter holes using a 1/8" diameter drill bit.

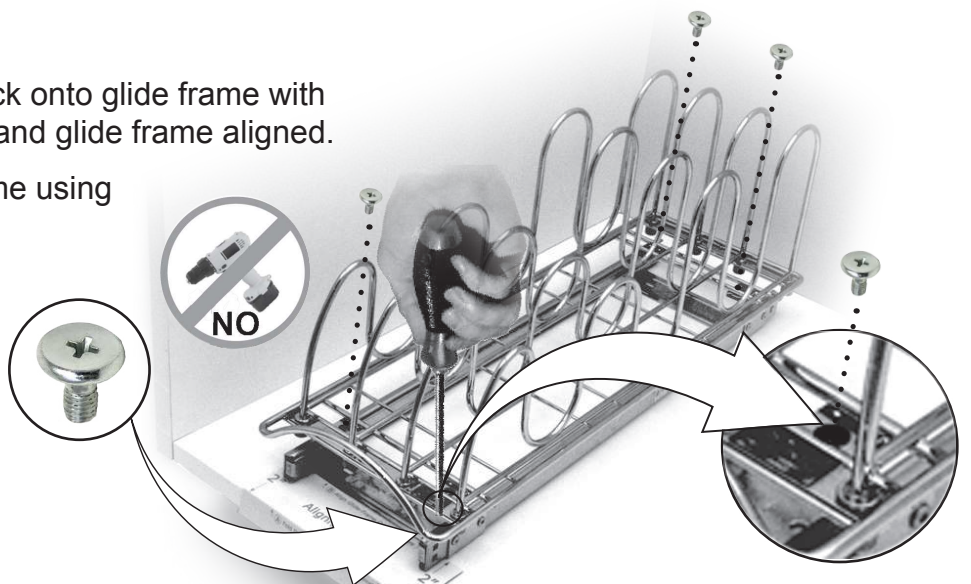
7 Attach Loops

Set assembled loops back onto glide frame with mounting holes in loops and glide frame aligned.

Attach loops to glide frame using mounting screws.

Only gently tighten

★ Turn screws until just snug



LIMITED WARRANTY AND DISCLAIMER OF LIABILITY

The manufacturer warrants this product against defects in manufacturing and workmanship for a period of ninety (90) days from the date of purchase. For questions, call (800) 733-5965 for customer service.

MANUFACTURER DISCLAIMS ALL OTHER WARRANTIES, EITHER EXPRESS OR IMPLIED, INCLUDING BUT NOT LIMITED TO IMPLIED WARRANTIES OF MERCHANTABILITY AND FITNESS FOR A PARTICULAR PURPOSE WITH REGARD TO THE PRODUCT. IN NO EVENT SHALL MANUFACTURER BE LIABLE FOR ANY SPECIAL, INCIDENTAL, INDIRECT, OR CONSEQUENTIAL DAMAGES WHATSOEVER (INCLUDING, WITHOUT LIMITATION, DAMAGES FOR LOSS OF BUSINESS PROFITS, INJURY TO PERSON OR PROPERTY, OR ANY OTHER INCIDENTAL, CONSEQUENTIAL OR PECUNIARY LOSS), OR FOR ATTORNEY'S FEES OR COSTS, ARISING OUT OF THE USE OR OPERATION OF THE PRODUCT.