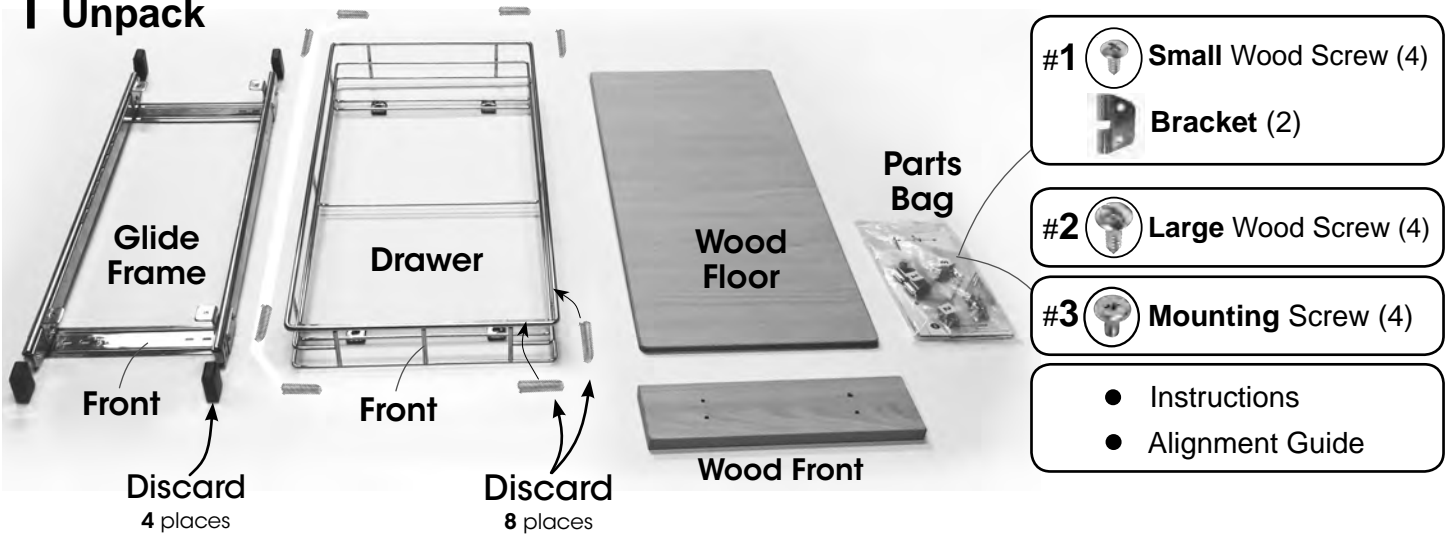
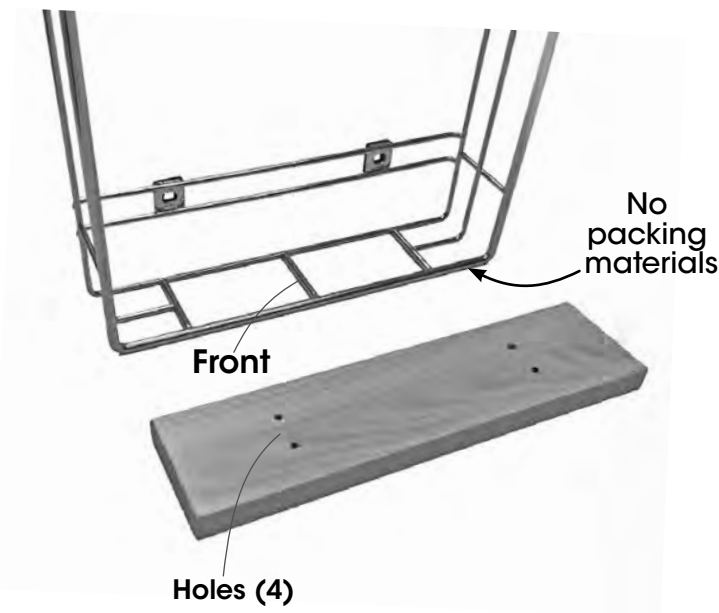


1 Unpack

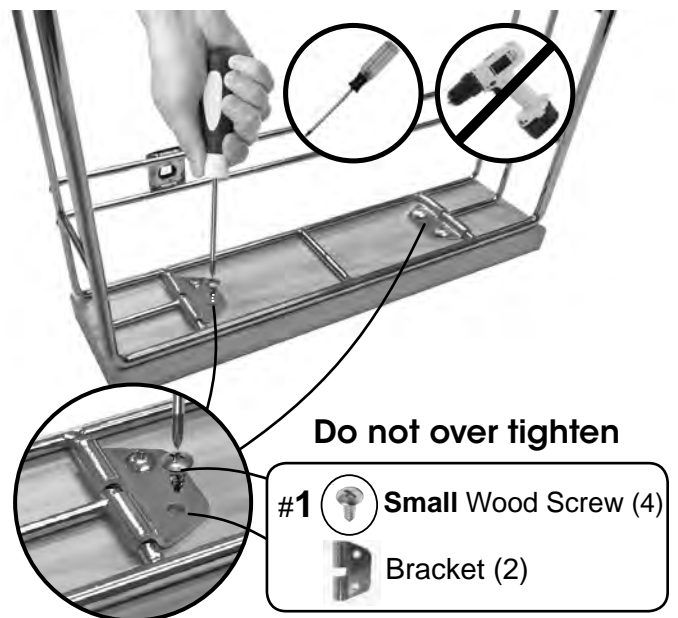


2 Align Wood At Front of Drawer



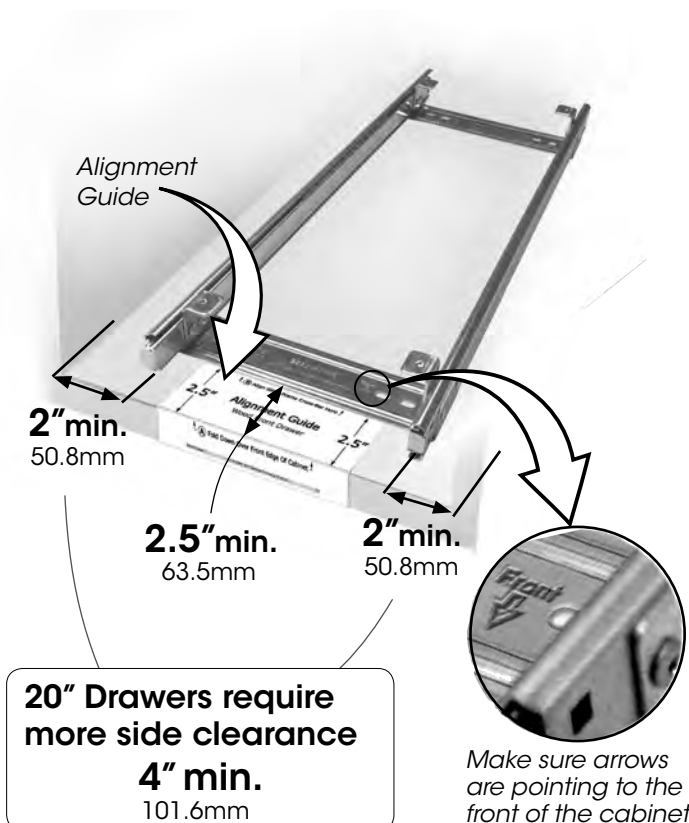
3 Attach Wood Front

Using #1 small wood screws and brackets



4 Align Glide Frame

As shown using alignment guide found in parts bag



5 Check Cabinet Clearance

Set drawer onto glide frame with holes in drawer and glide aligned

Check for adequate cabinet and door clearance

Adjust glide frame position if needed



6 Mount Glide Frame

Remove drawer from glide frame

Move inner glide rails slightly forward as shown

Mount glide frame into cabinet using
#2 large wood screws found in parts bag

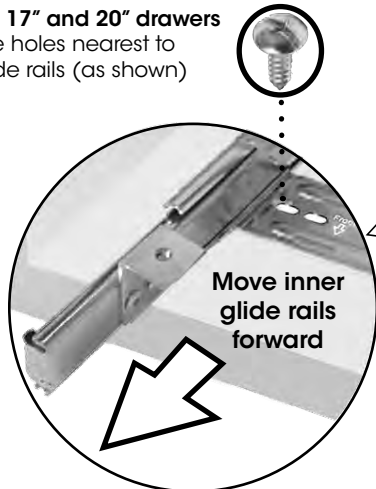


Recommended:

Use of a Power Screwdriver

Drill 4 starter holes using a 1/8" diameter drill bit

For 17" and 20" drawers
 Use holes nearest to
 glide rails (as shown)

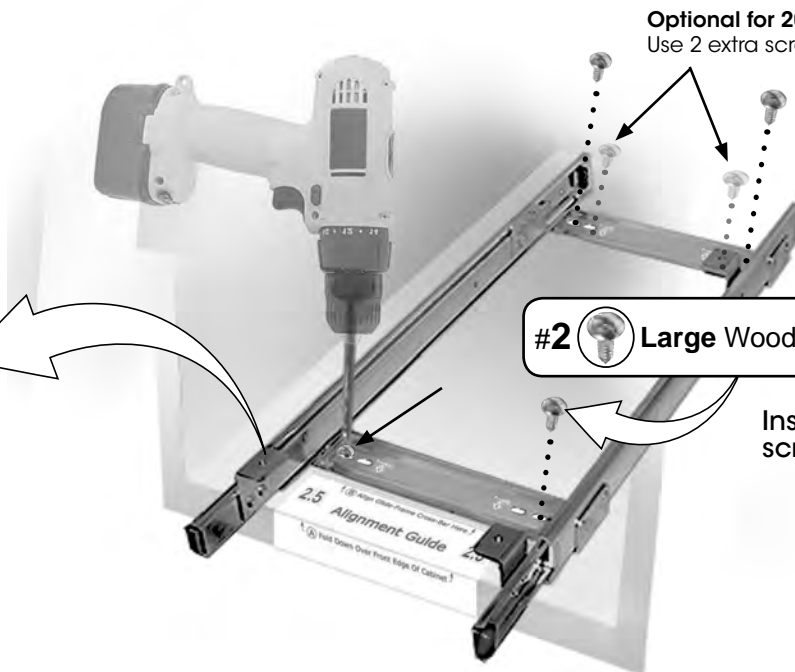


Move inner
 glide rails
 forward

Optional for 20" drawers:
 Use 2 extra screws in back

#2 Large Wood Screw (4)

Install front
 screws first

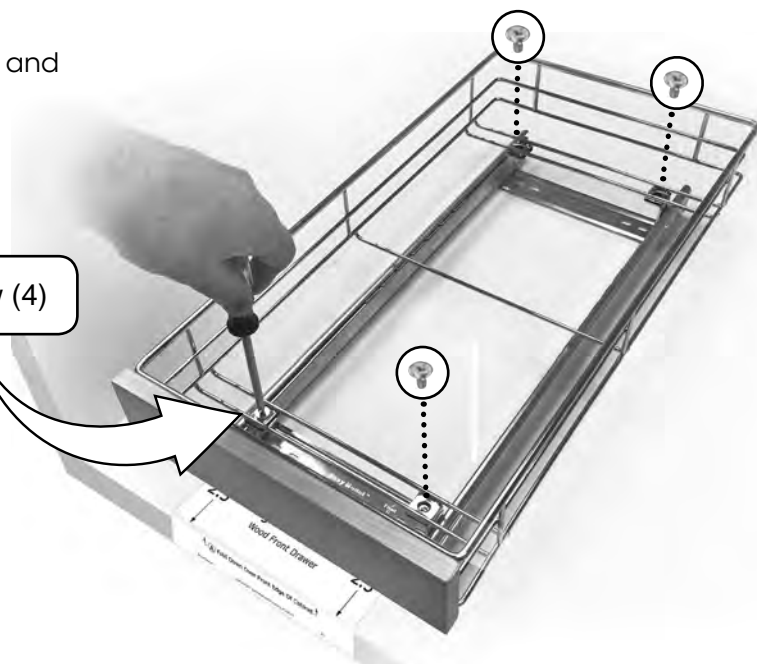


7 Attach Drawer

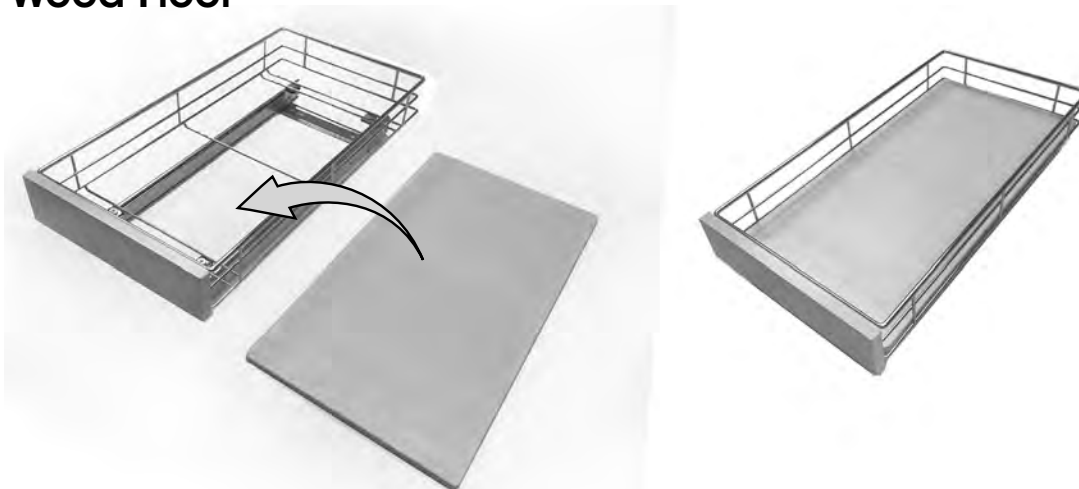
Set drawer onto glide frame with drawer and
 glide mounting holes aligned

#3 Mounting Screw (4)

Turn screws
 until just snug



8 Insert Wood Floor



If you have questions, please call 800-733-5965

LIMITED WARRANTY AND DISCLAIMER OF LIABILITY

The manufacturer warrants this product against defects in manufacturing and workmanship for a period of ninety (90) days from the date of purchase. For questions, call (800) 733-5965 for customer service.

MANUFACTURER DISCLAIMS ALL OTHER WARRANTIES, EITHER EXPRESS OR IMPLIED, INCLUDING BUT NOT LIMITED TO IMPLIED WARRANTIES OF MERCHANTABILITY AND FITNESS FOR A PARTICULAR PURPOSE WITH REGARD TO THE PRODUCT. IN NO EVENT SHALL MANUFACTURER BE LIABLE FOR ANY SPECIAL, INCIDENTAL, INDIRECT, OR CONSEQUENTIAL DAMAGES WHATSOEVER (INCLUDING, WITHOUT LIMITATION, DAMAGES FOR LOSS OF BUSINESS PROFITS, INJURY TO PERSON OR PROPERTY, OR ANY OTHER INCIDENTAL, CONSEQUENTIAL OR PECUNIARY LOSS), OR FOR ATTORNEY'S FEES OR COSTS, ARISING OUT OF THE USE OR OPERATION OF THE PRODUCT.



www.lynkinc.com