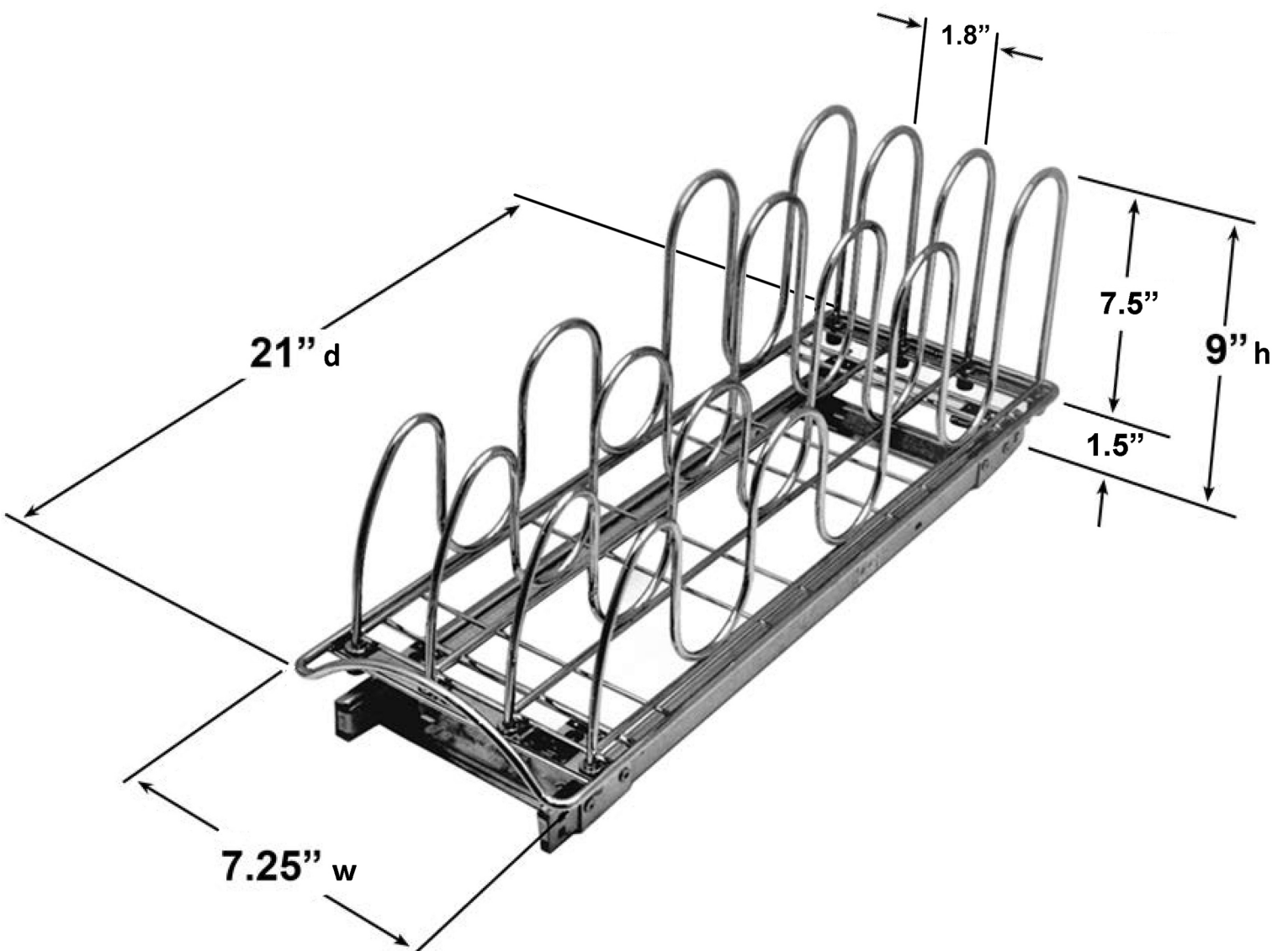
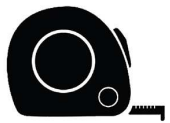
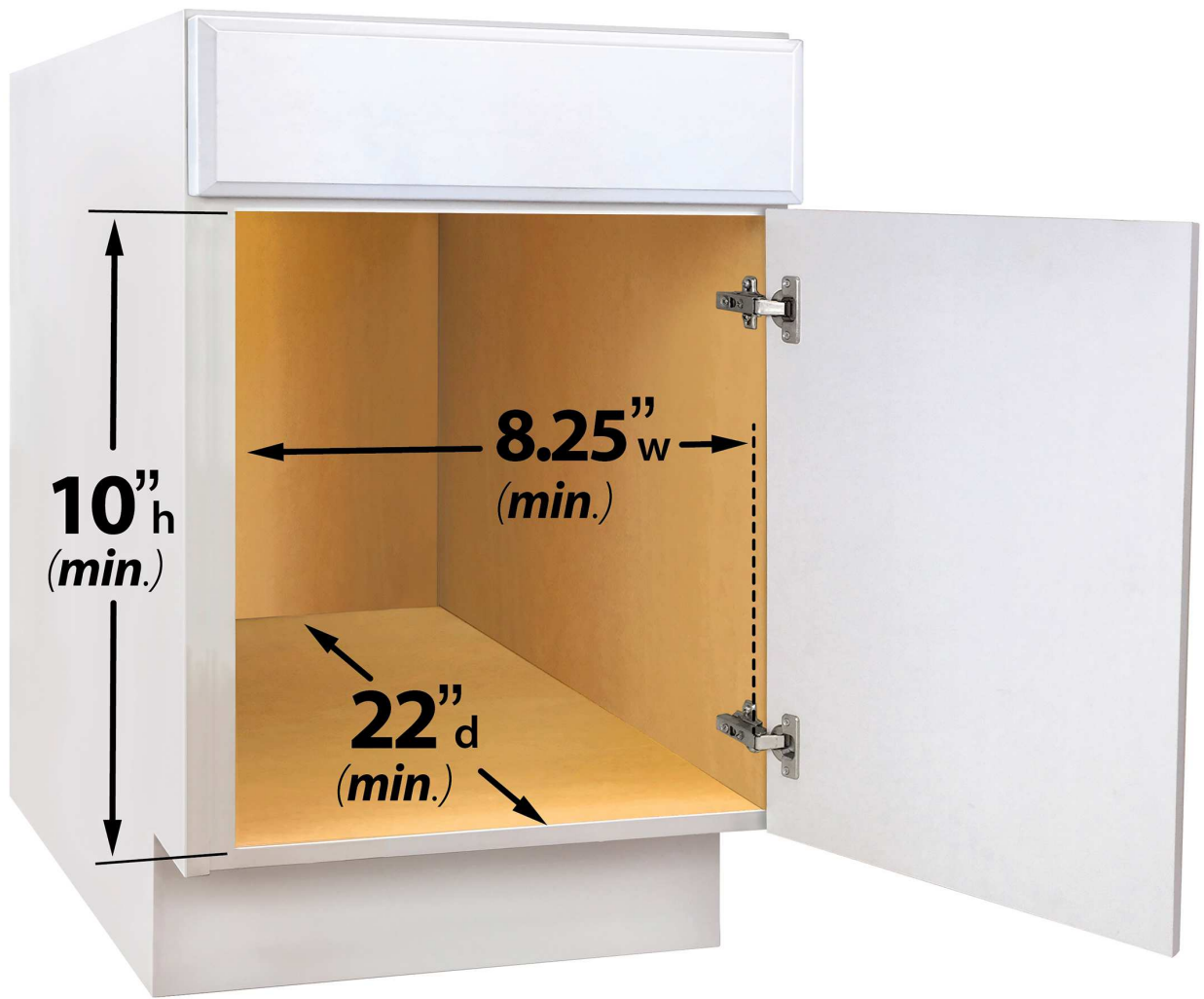




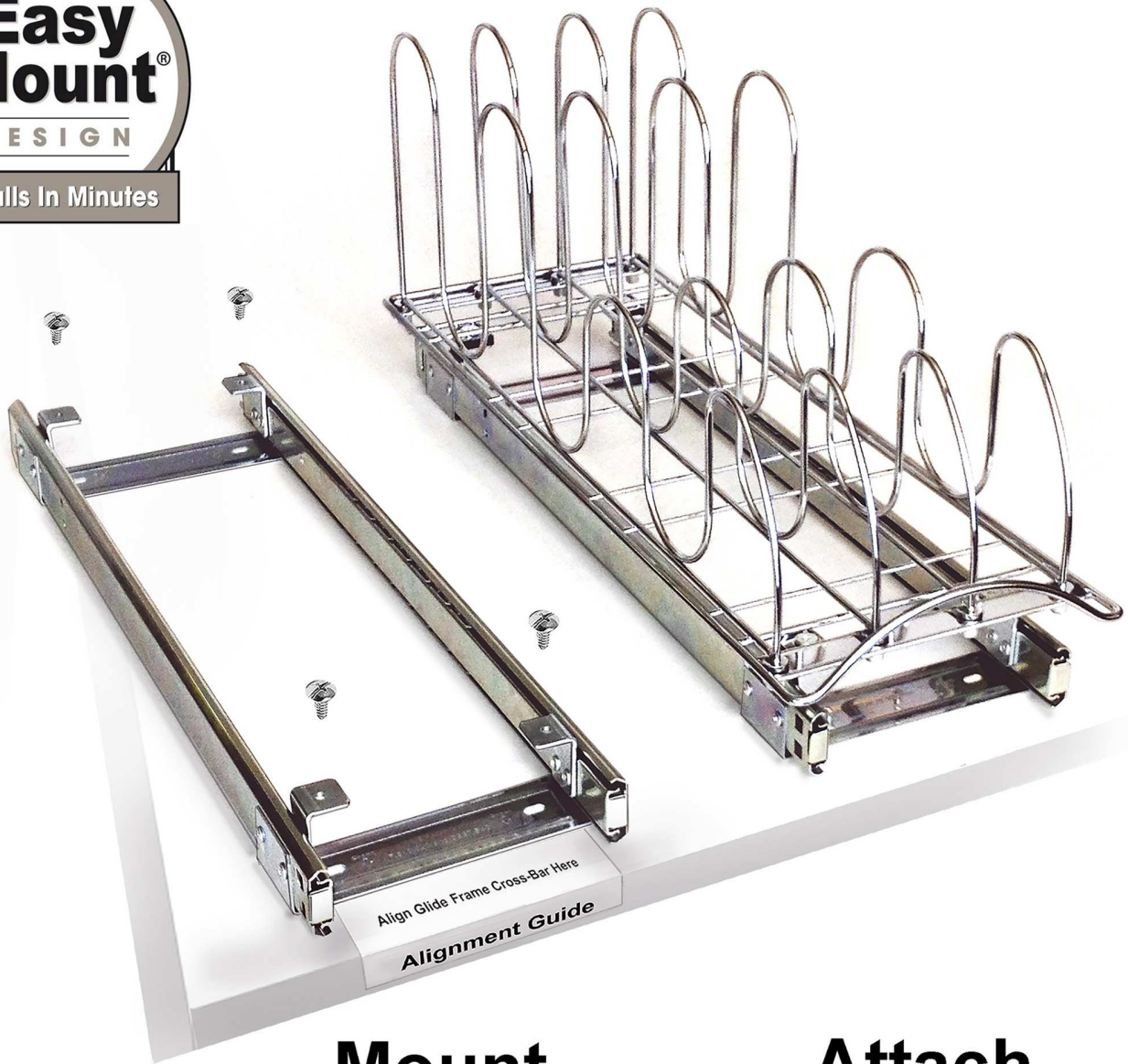
Lynk Lid Holder #430021





Minimum width, height and depth required for this drawer allowing for hinges, plumbing, etc.

Allow for maximum lid height.



**Mount
Glide**

Just 4 screws
(included)

**Attach
Lid Holder**