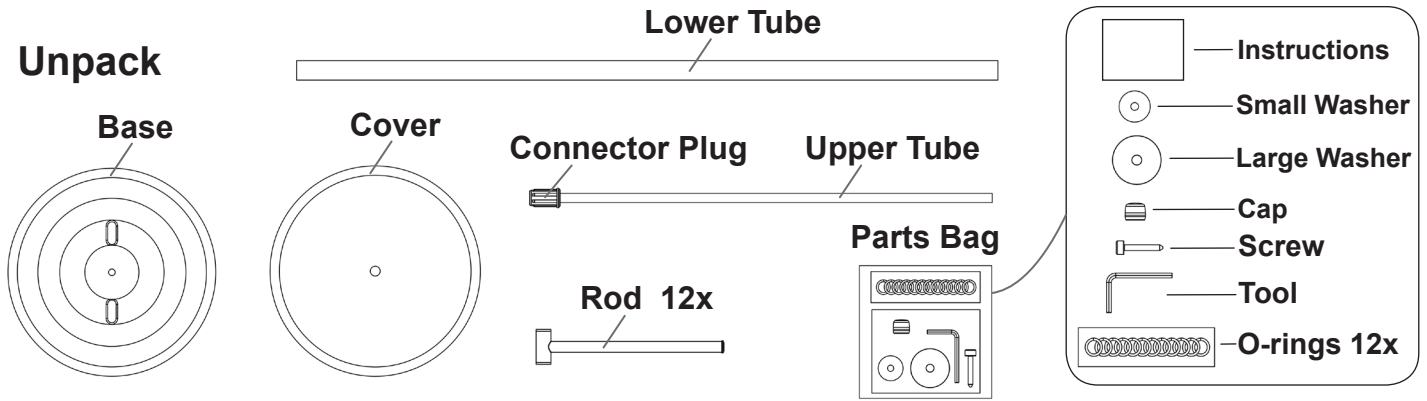
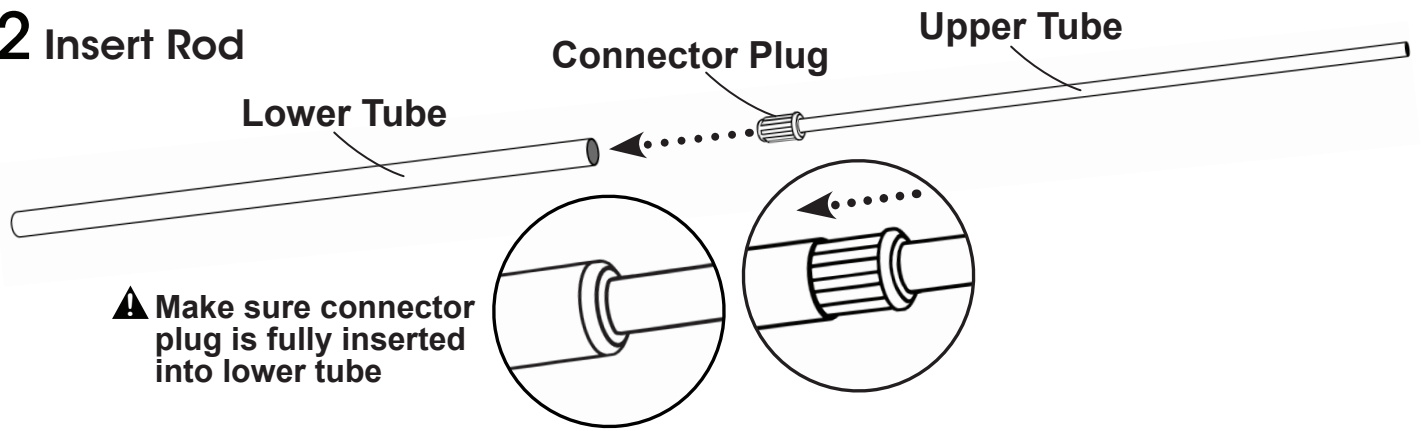


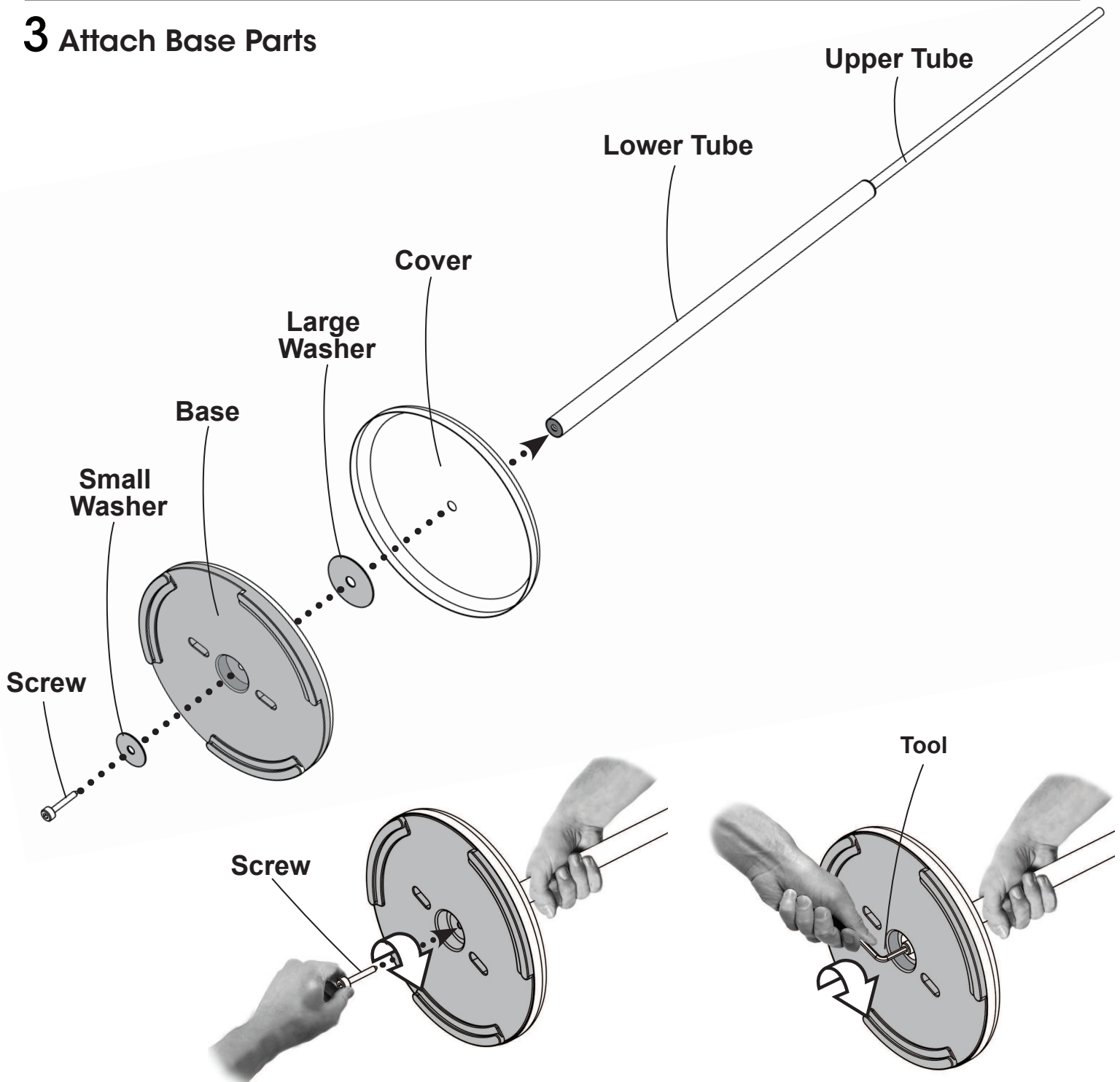
1 Unpack



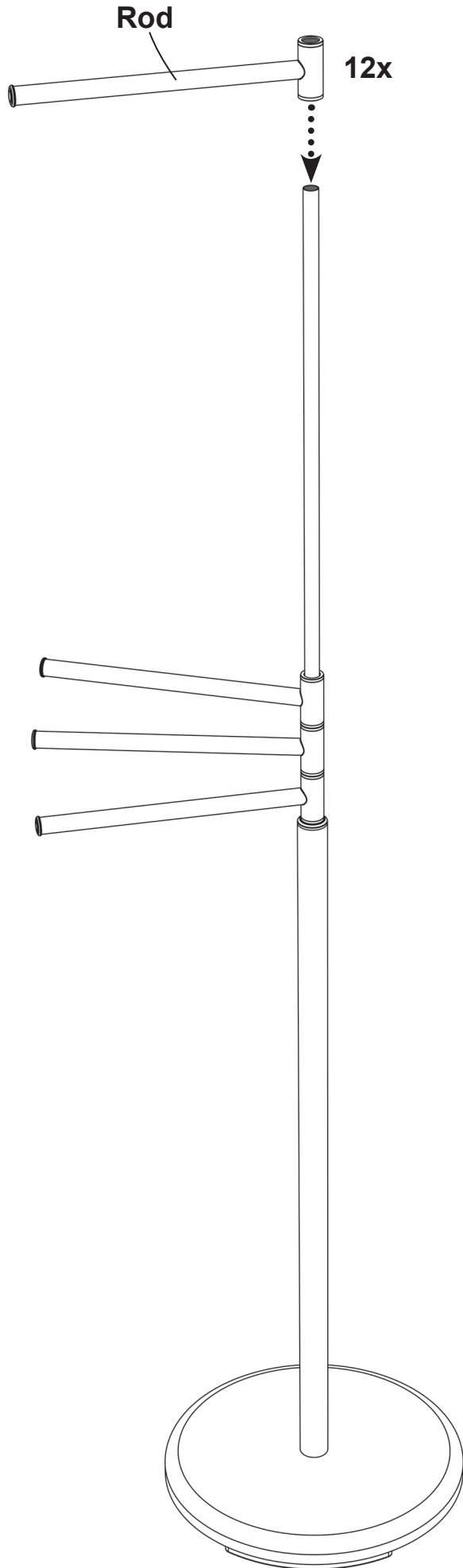
2 Insert Rod



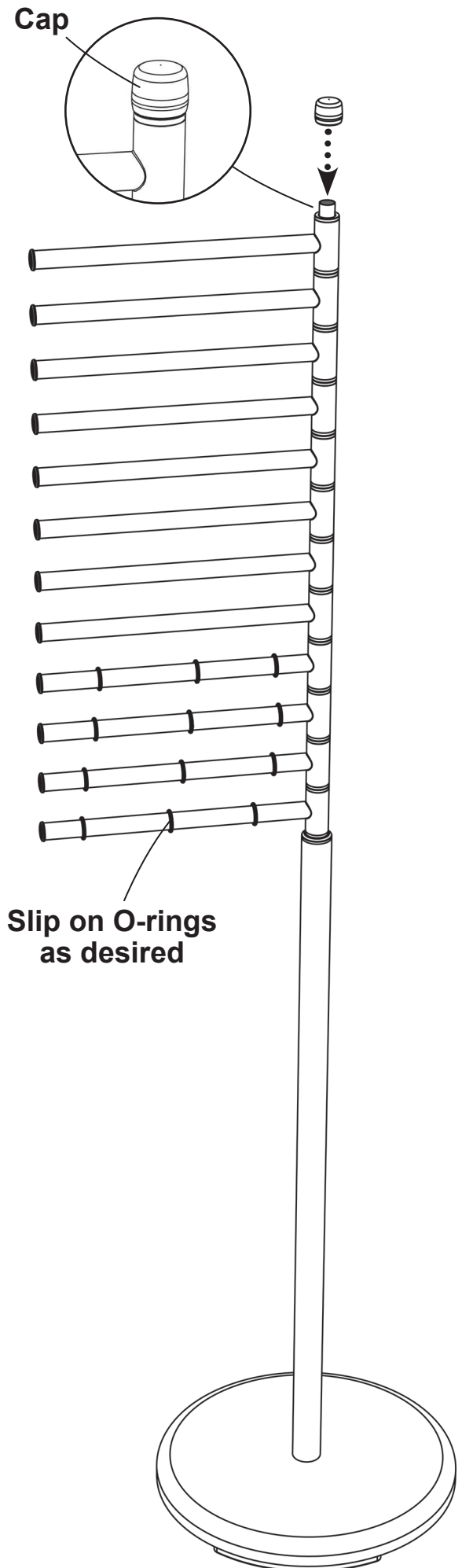
3 Attach Base Parts



**4 Assemble Rods**



**5 Attach Cap**



**If you have questions, please call 800-733-5965**

[www.lynkinc.com](http://www.lynkinc.com)

**LIMITED WARRANTY AND DISCLAIMER OF LIABILITY**

The manufacturer warrants this product against defects in manufacturing and workmanship for a period of ninety (90) days from the date of purchase. For questions, call (800) 733-5965 for customer service.

MANUFACTURER DISCLAIMS ALL OTHER WARRANTIES, EITHER EXPRESS OR IMPLIED, INCLUDING BUT NOT LIMITED TO IMPLIED WARRANTIES OF MERCHANTABILITY AND FITNESS FOR A PARTICULAR PURPOSE WITH REGARD TO THE PRODUCT. IN NO EVENT SHALL MANUFACTURER BE LIABLE FOR ANY SPECIAL, INCIDENTAL, INDIRECT, OR CONSEQUENTIAL DAMAGES WHATSOEVER (INCLUDING, WITHOUT LIMITATION, DAMAGES FOR LOSS OF BUSINESS PROFITS, INJURY TO PERSON OR PROPERTY, OR ANY OTHER INCIDENTAL, CONSEQUENTIAL OR PECUNIARY LOSS), OR FOR ATTORNEY'S FEES OR COSTS, ARISING OUT OF THE USE OR OPERATION OF THE PRODUCT.