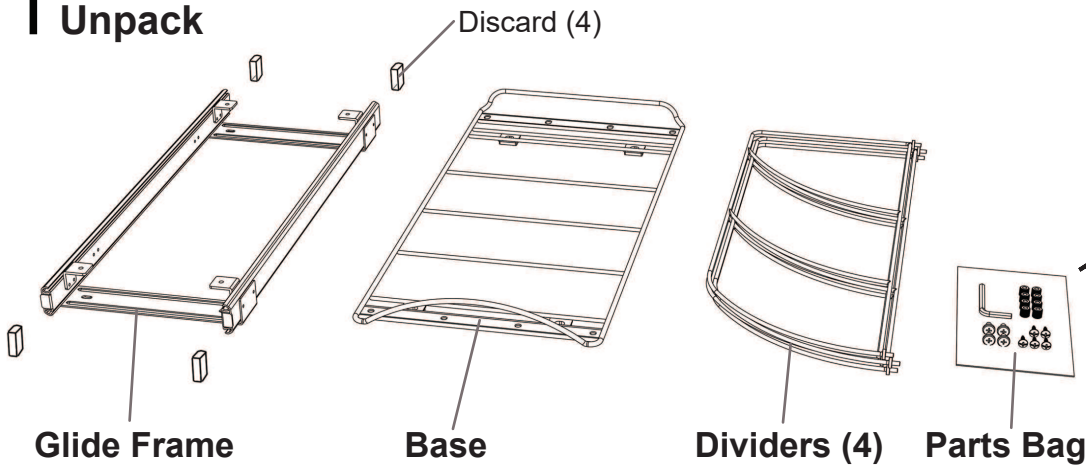








**1 Unpack**

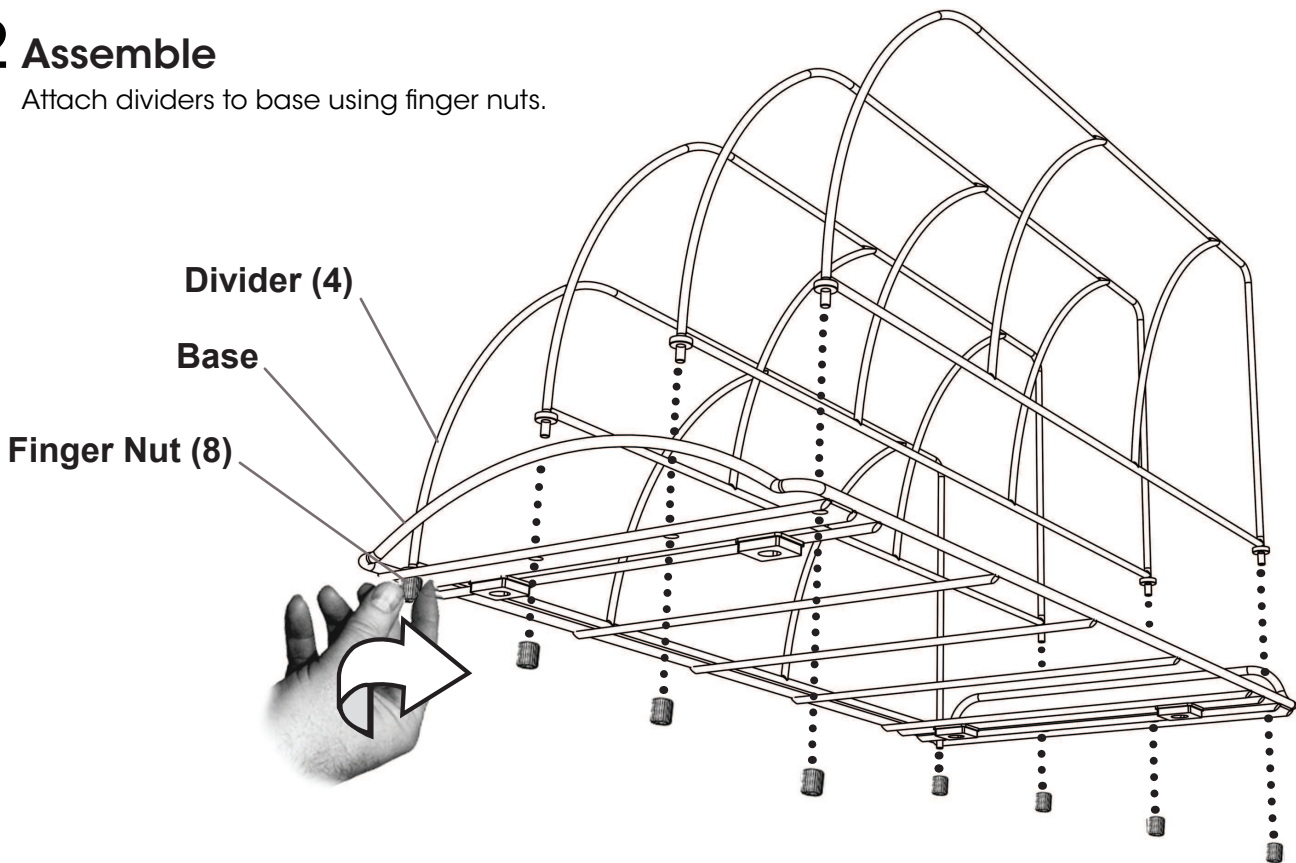


**Parts Bag Includes**

-  Finger Nut (8)
-  Mounting Screw (4)
-  Wood Screw (4)
-  Tool
-  Instructions
-  Alignment Guide

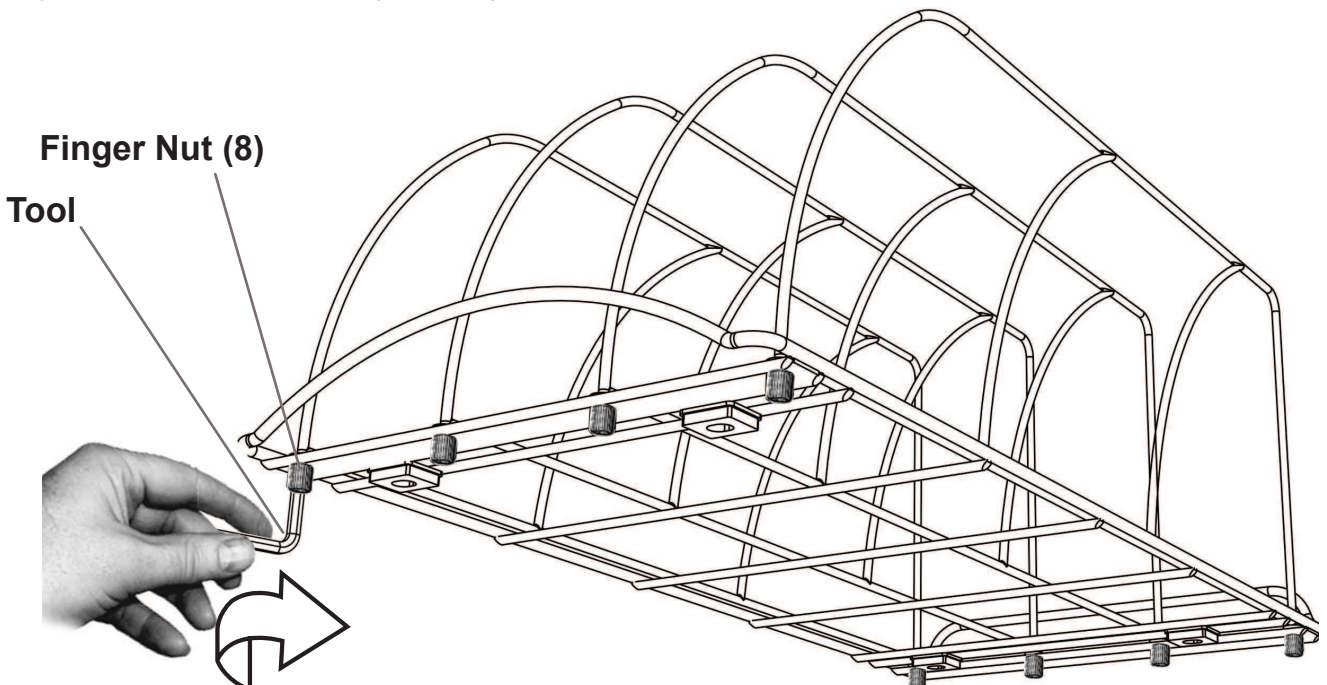
**2 Assemble**

Attach dividers to base using finger nuts.



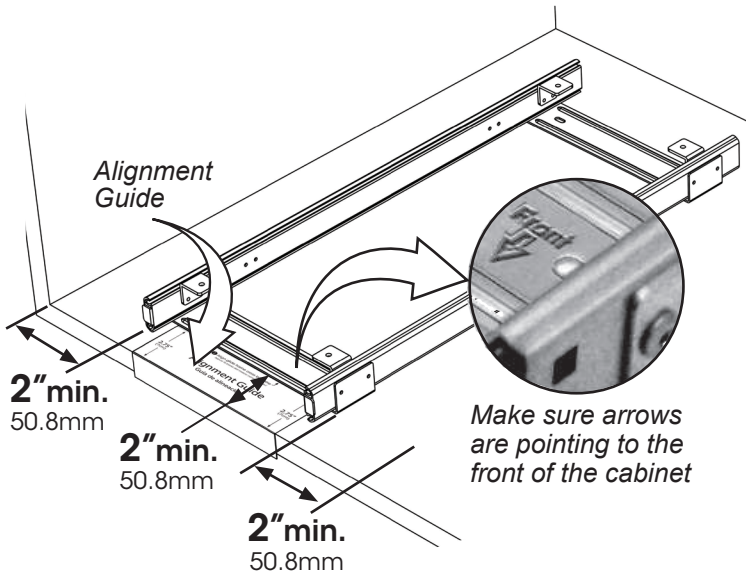
**3 Tighten**

Using tool provided, securely tighten finger nuts.



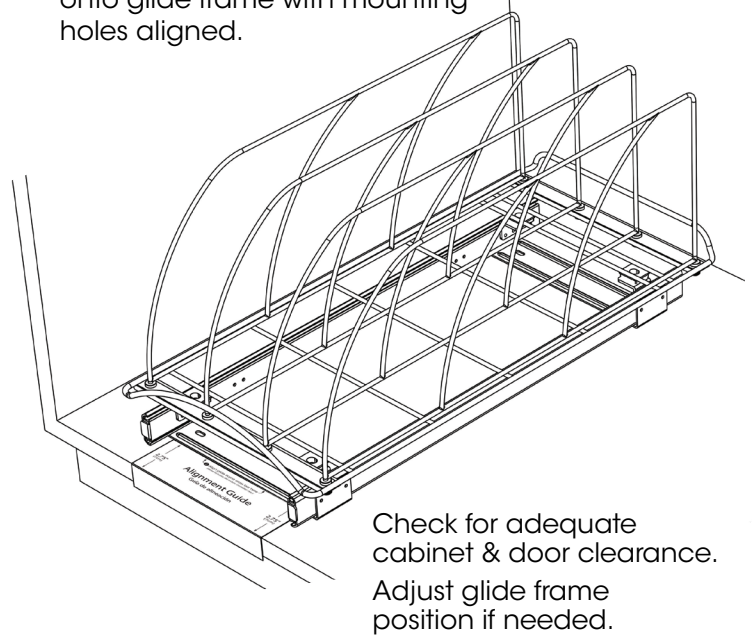
## 4 Aligning Glide Frame

Align glide frame in cabinet as shown using alignment guide found in parts bag.



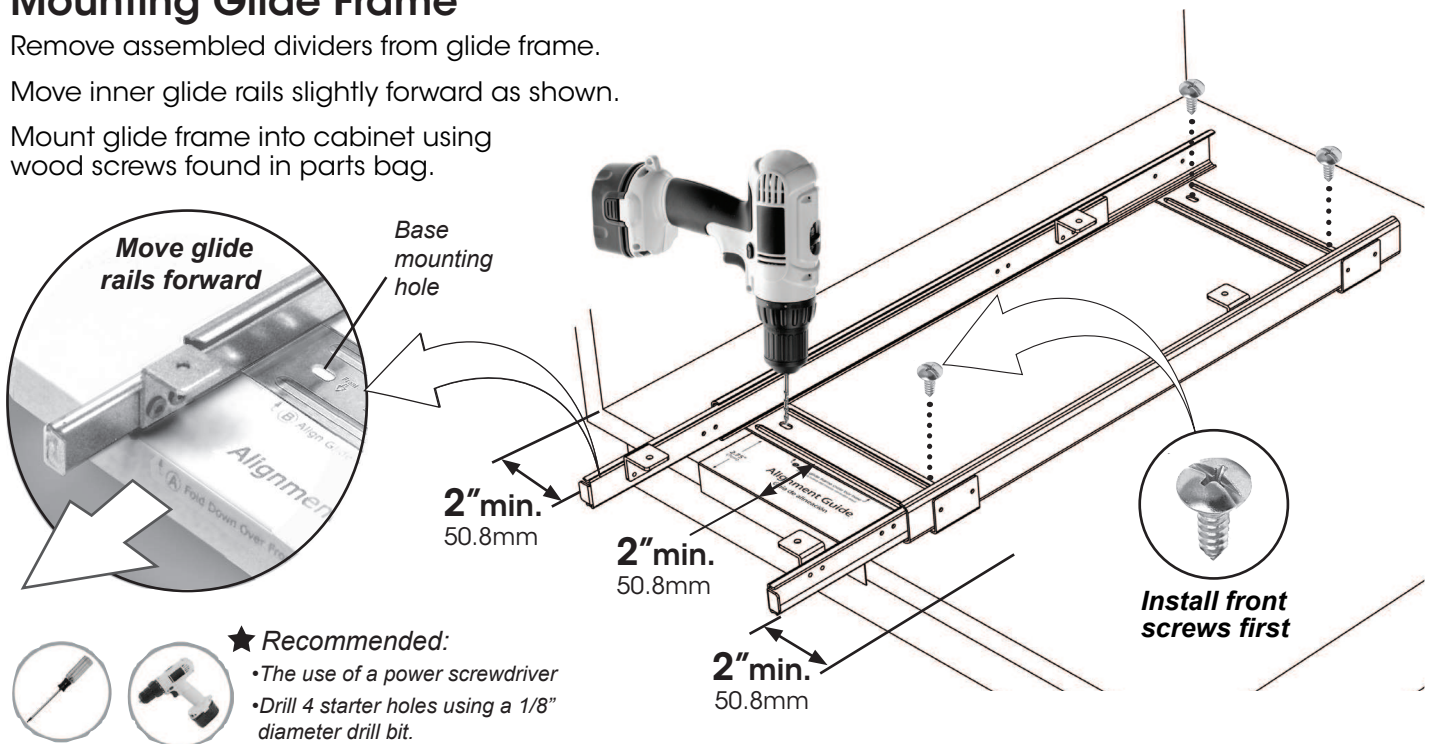
## 5 Checking Cabinet Clearance

Set the assembled dividers and base onto glide frame with mounting holes aligned.



## 6 Mounting Glide Frame

Remove assembled dividers from glide frame.  
Move inner glide rails slightly forward as shown.  
Mount glide frame into cabinet using wood screws found in parts bag.



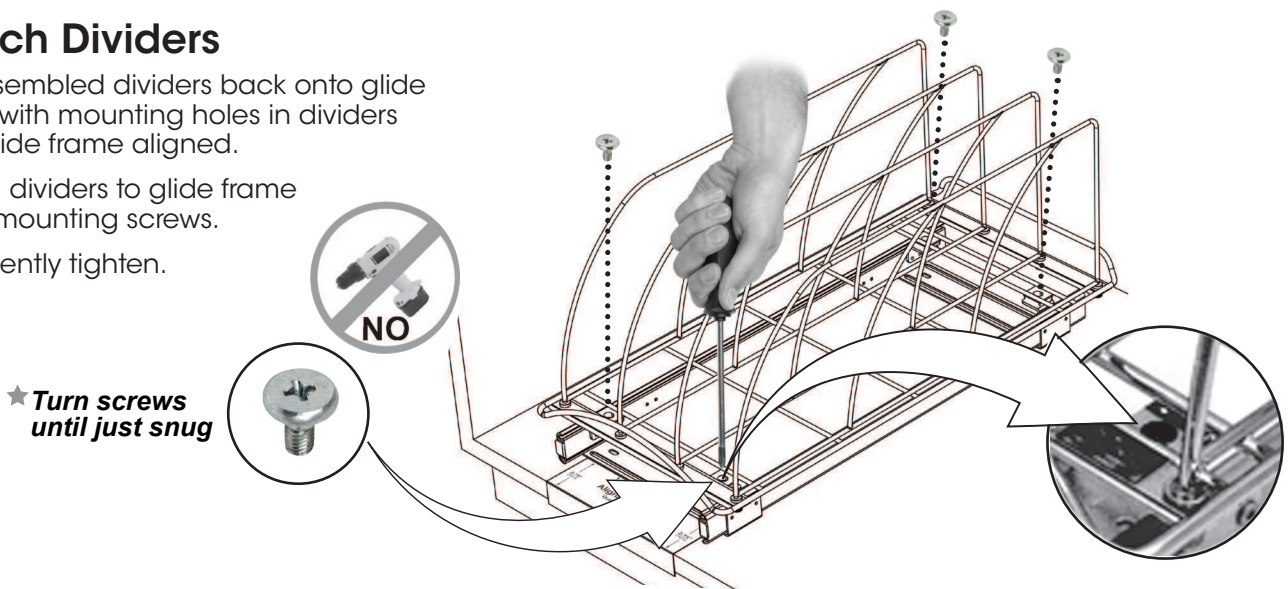
- ★ **Recommended:**
- The use of a power screwdriver
  - Drill 4 starter holes using a 1/8" diameter drill bit.

## 7 Attach Dividers

Set assembled dividers back onto glide frame with mounting holes in dividers and glide frame aligned.

Attach dividers to glide frame using mounting screws.

Only gently tighten.



If you have questions, please call 800-733-5965

[www.lynkinc.com](http://www.lynkinc.com)

### LIMITED WARRANTY AND DISCLAIMER OF LIABILITY

The manufacturer warrants this product against defects in manufacturing and workmanship for a period of ninety (90) days from the date of purchase. For questions, call (800) 733-5965 for customer service.

MANUFACTURER DISCLAIMS ALL OTHER WARRANTIES, EITHER EXPRESS OR IMPLIED, INCLUDING BUT NOT LIMITED TO IMPLIED WARRANTIES OF MERCHANTABILITY AND FITNESS FOR A PARTICULAR PURPOSE WITH REGARD TO THE PRODUCT. IN NO EVENT SHALL MANUFACTURER BE LIABLE FOR ANY SPECIAL, INCIDENTAL, INDIRECT, OR CONSEQUENTIAL DAMAGES WHATSOEVER (INCLUDING, WITHOUT LIMITATION, DAMAGES FOR LOSS OF BUSINESS PROFITS, INJURY TO PERSON OR PROPERTY, OR ANY OTHER INCIDENTAL, CONSEQUENTIAL OR PECUNIARY LOSS), OR FOR ATTORNEY'S FEES OR COSTS, ARISING OUT OF THE USE OR OPERATION OF THE PRODUCT.