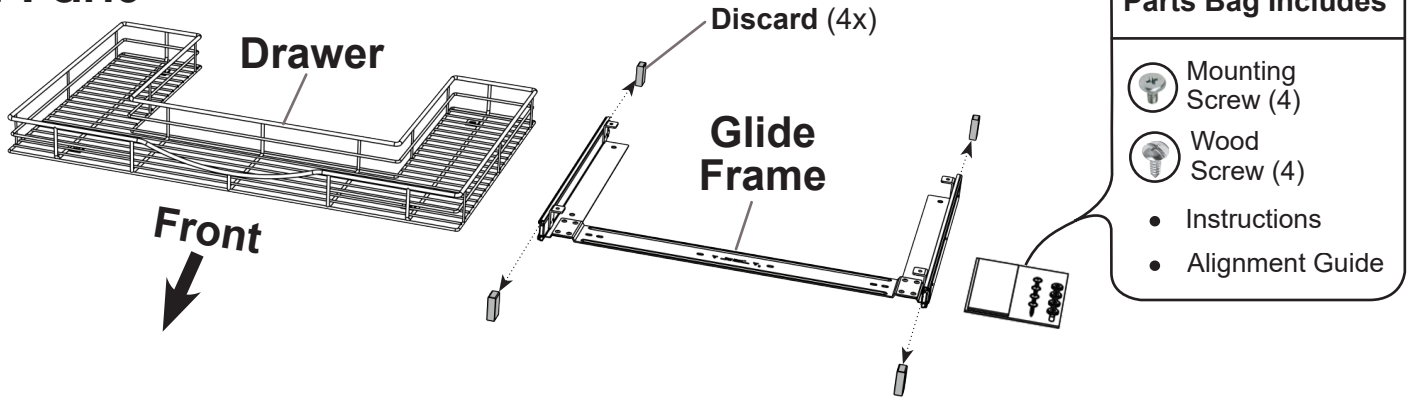
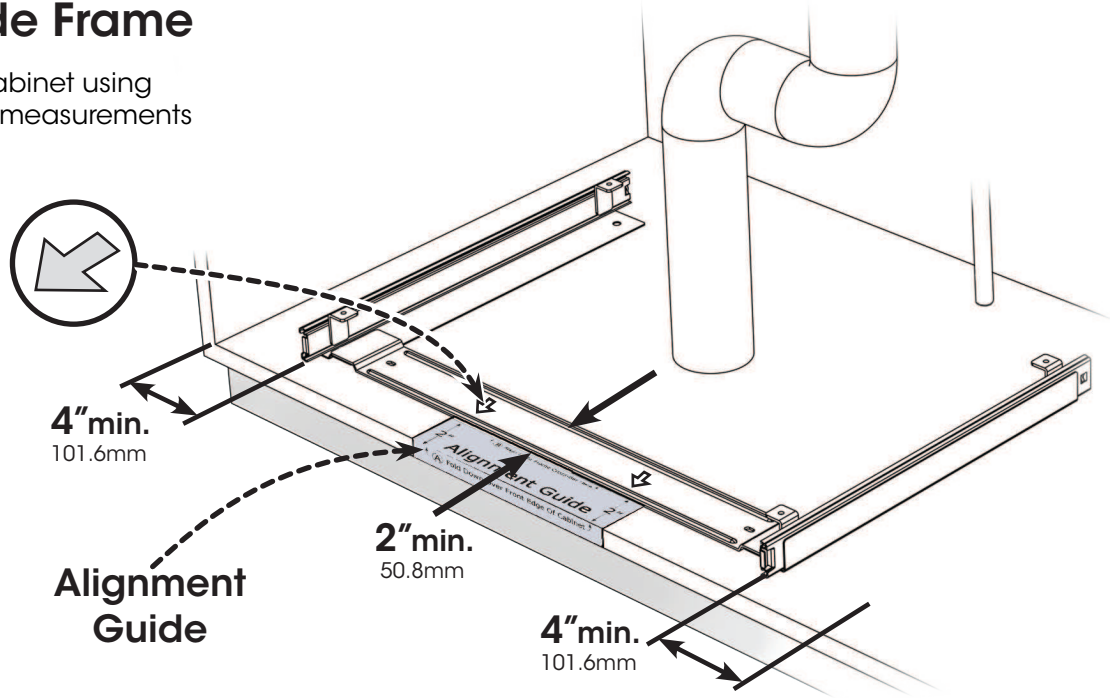


1 Parts



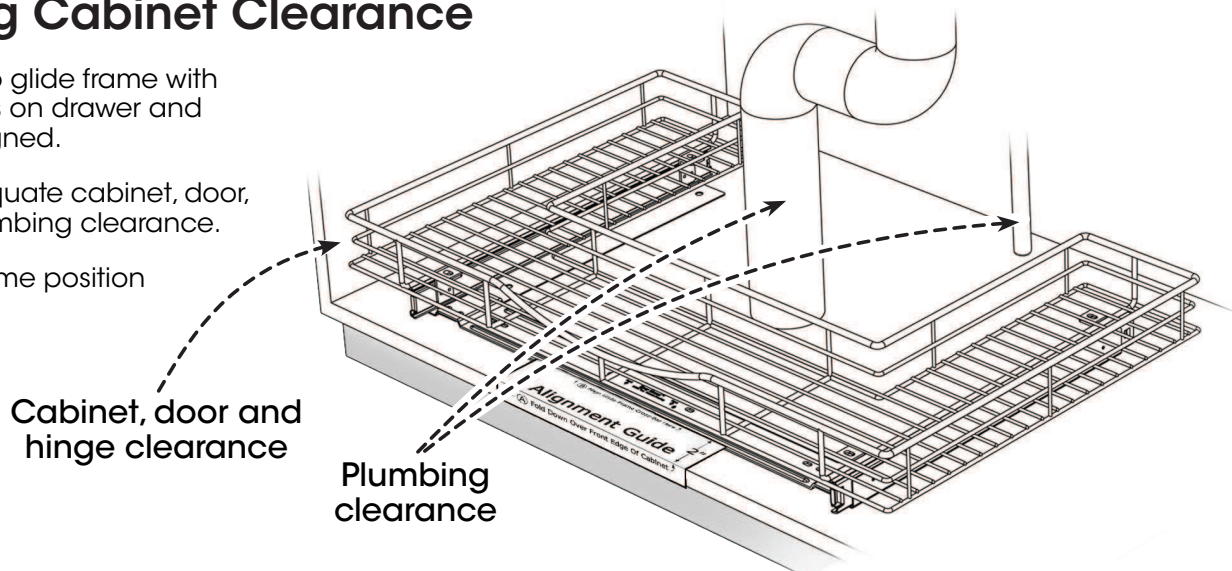
2 Aligning Glide Frame

- Align glide frame in cabinet using alignment guide and measurements shown below.
- Make sure arrows are pointing to the front of the cabinet.



3 Checking Cabinet Clearance

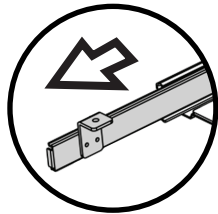
- Set drawer onto glide frame with mounting holes on drawer and glide frame aligned.
- Check for adequate cabinet, door, hinge, and plumbing clearance.
- Adjust glide frame position if needed.



4 Mounting Glide Frame

- Remove drawer from glide frame.

- Move glide rails forward.



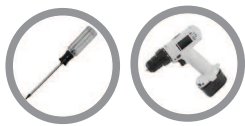
- Mount glide frame. Install front screws first.



4" min.
101.6mm

2" min.
50.8mm

4" min.
101.6mm

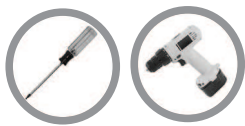


★ Recommended:

- The use of a power screwdriver
- Drill 4 starter holes using an 1/8" diameter drill bit.

5 Attaching Drawer

- Set drawer back on glide frame with mounting holes of drawer and glide frame aligned.
- Attach drawer to glide frame using mounting screws.
- Only gently tighten.



If you have questions, please call 800-733-5965



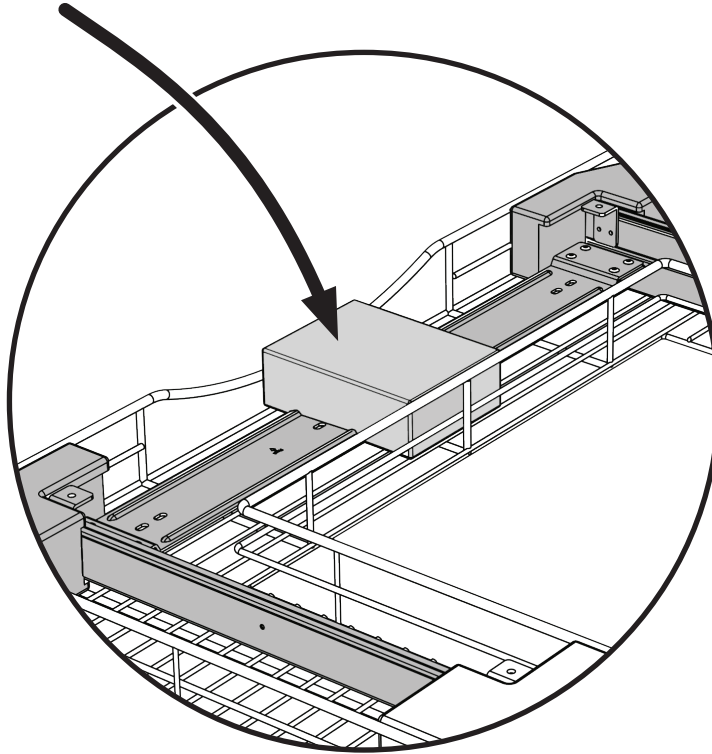
www.lynkinc.com

LIMITED WARRANTY AND DISCLAIMER OF LIABILITY

The manufacturer warrants this product against defects in manufacturing and workmanship for a period of ninety (90) days from the date of purchase. For questions, call (800) 733-5965 for customer service.

MANUFACTURER DISCLAIMS ALL OTHER WARRANTIES, EITHER EXPRESS OR IMPLIED, INCLUDING BUT NOT LIMITED TO IMPLIED WARRANTIES OF MERCHANTABILITY AND FITNESS FOR A PARTICULAR PURPOSE WITH REGARD TO THE PRODUCT. IN NO EVENT SHALL MANUFACTURER BE LIABLE FOR ANY SPECIAL, INCIDENTAL, INDIRECT, OR CONSEQUENTIAL DAMAGES WHATSOEVER (INCLUDING, WITHOUT LIMITATION, DAMAGES FOR LOSS OF BUSINESS PROFITS, INJURY TO PERSON OR PROPERTY, OR ANY OTHER INCIDENTAL, CONSEQUENTIAL OR PECUNIARY LOSS), OR FOR ATTORNEY'S FEES OR COSTS, ARISING OUT OF THE USE OR OPERATION OF THE PRODUCT.

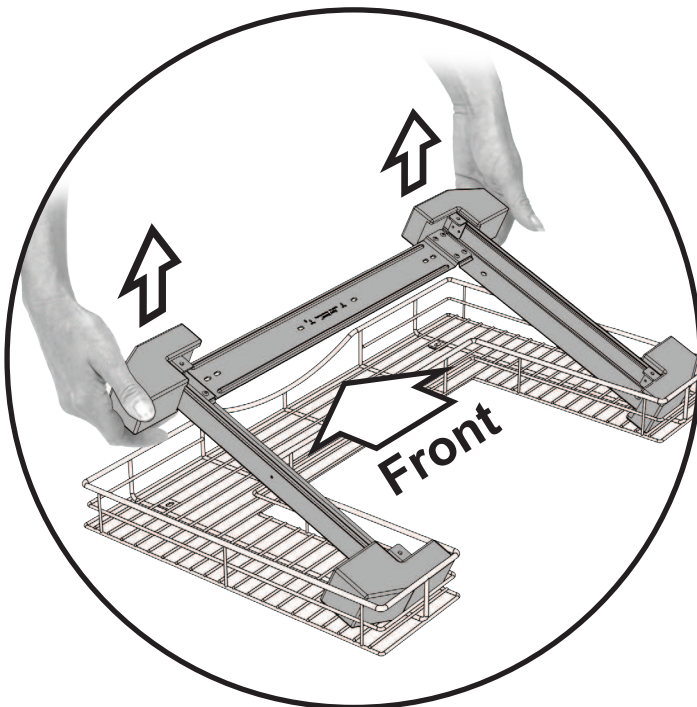
1st REMOVE



2nd GENTLY LIFT GLIDE FRAME OUT OF DRAWER

⚠ DO NOT BEND OR TWIST GLIDE FRAME

YES



NO

