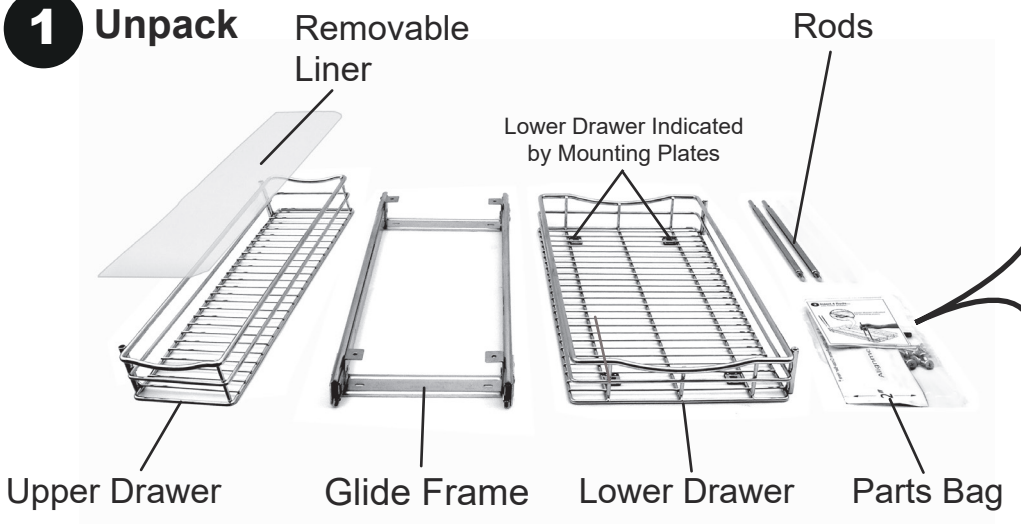






# 1 Unpack

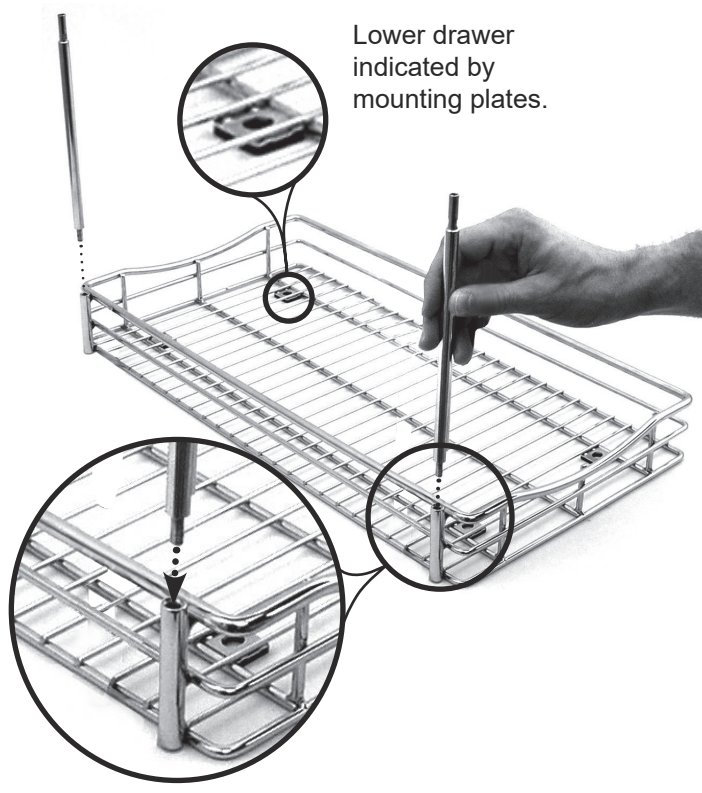


### Parts Bag

-  Mounting Screws (4)
-  Wood Screws (4)
-  Instructions
-  Alignment Guide

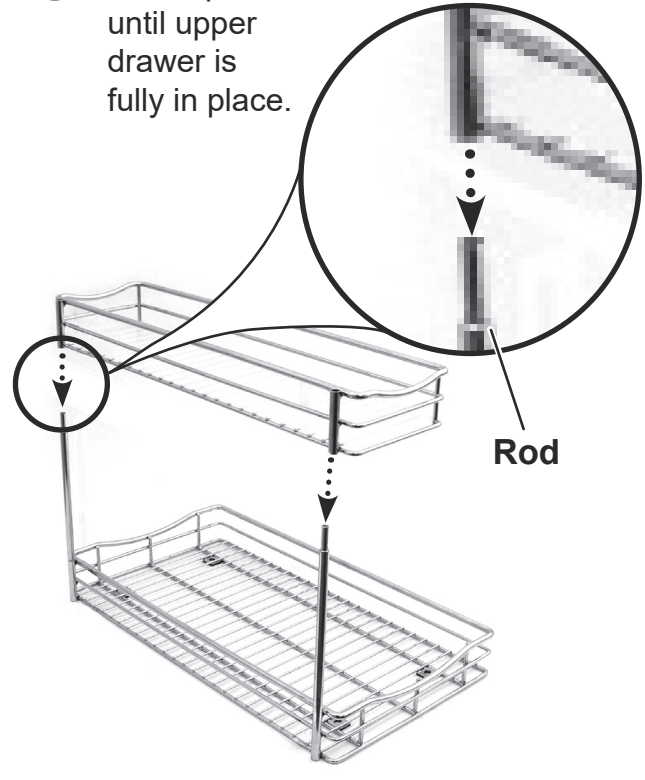
# 2 Insert Rods

into lower drawer.



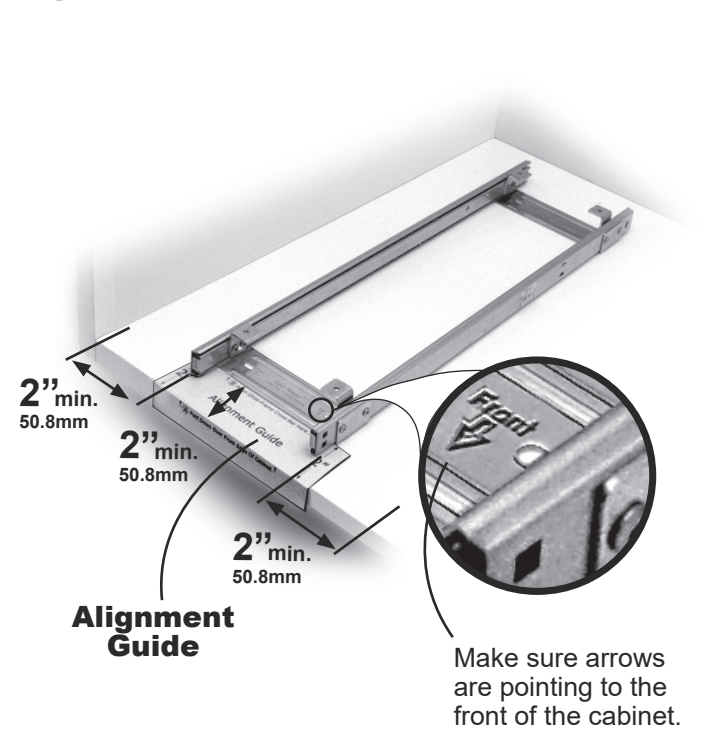
# 3 Slide Upper Drawer

onto tops of rods until upper drawer is fully in place.



# 4 Align Glide Frame

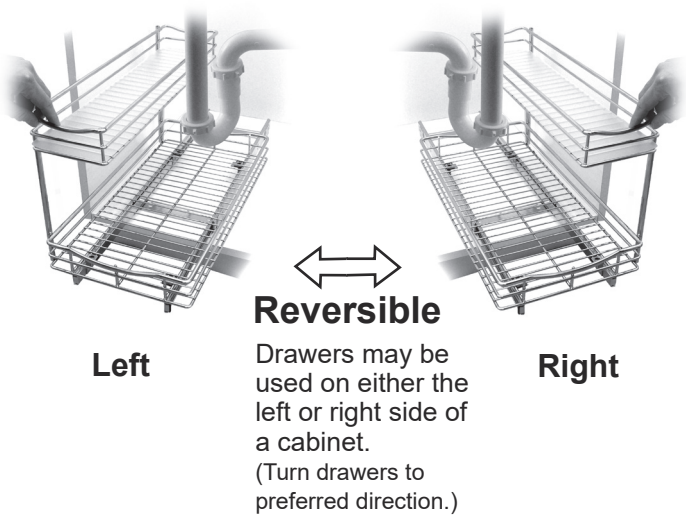
in cabinet using Alignment Guide.



# 5 Check For Clearance

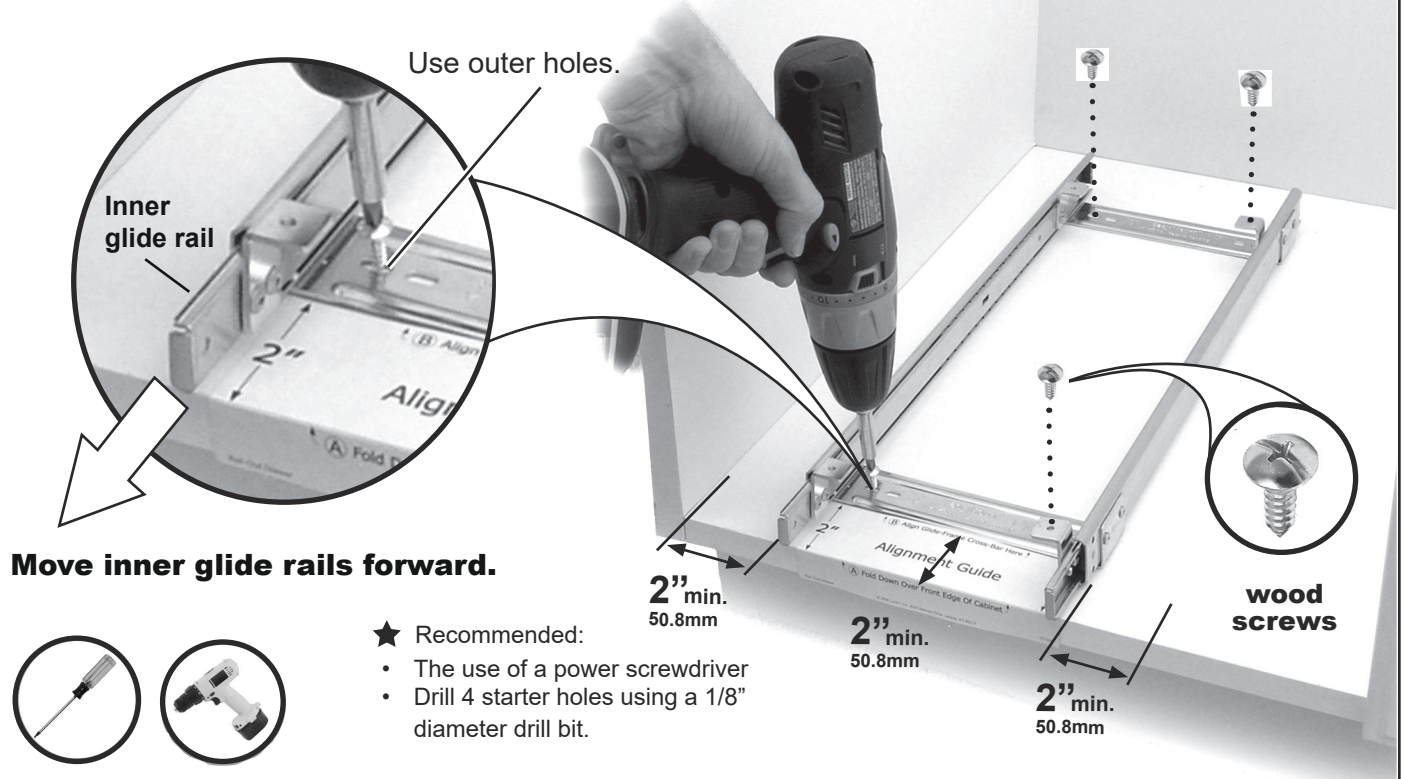
Temporarily place drawer from step 3 onto glide frame with holes in drawer and glide aligned.

Check for adequate clearance around cabinet, doors and plumbing fixtures. (Adjust glide frame position as needed.)

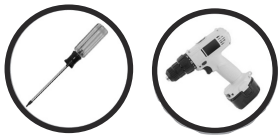


## 6 Install Glide Frame

- Remove drawer from glide frame.
- Move **inner glide rails** slightly forward as shown
- Install glide frame into cabinet using wood screws  found in parts bag. (Install front screws first).




**Move inner glide rails forward.**

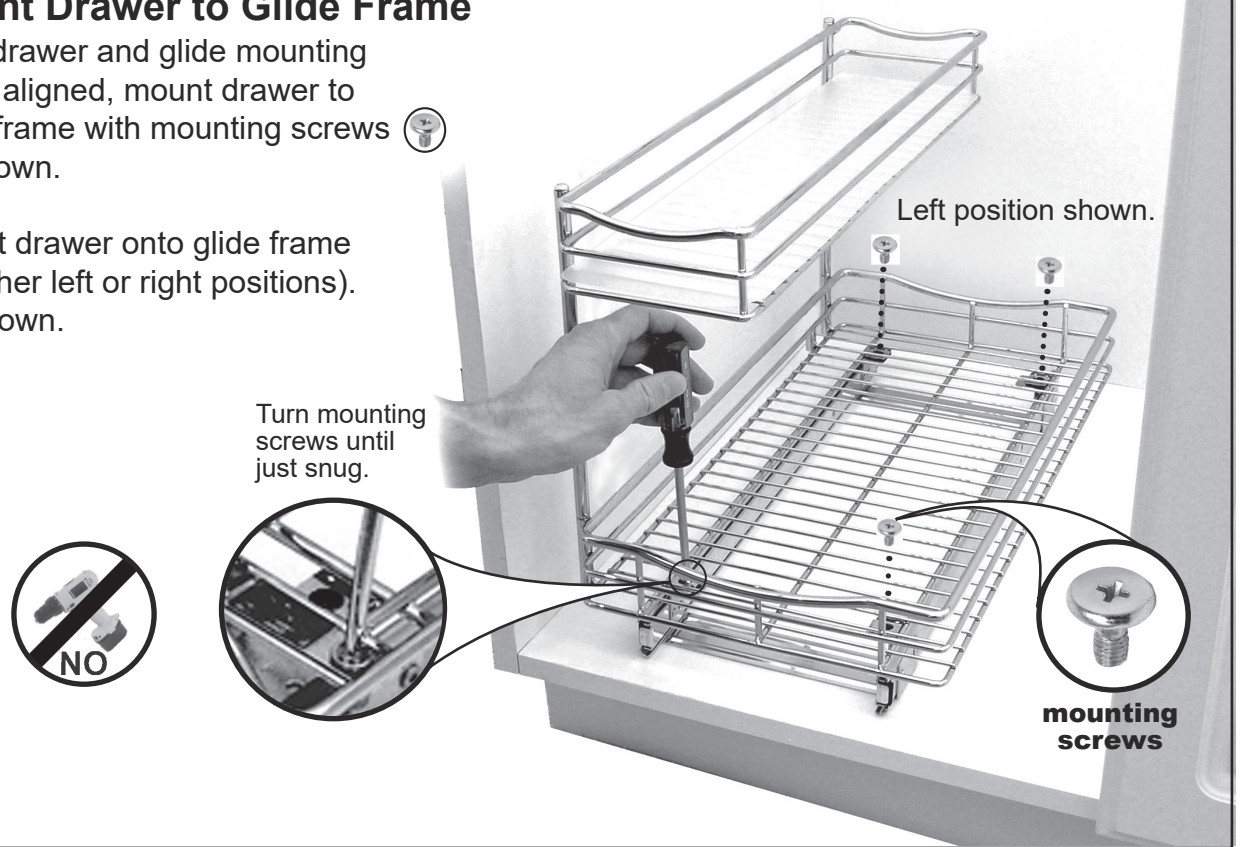


- ★ Recommended:
  - The use of a power screwdriver
  - Drill 4 starter holes using a 1/8" diameter drill bit.

## 7 Mount Drawer to Glide Frame

With drawer and glide mounting holes aligned, mount drawer to glide frame with mounting screws  as shown.

Mount drawer onto glide frame (in either left or right positions). As shown.



### LIMITED WARRANTY AND DISCLAIMER OF LIABILITY

The manufacturer warrants this product against defects in manufacturing and workmanship for a period of ninety (90) days from the date of purchase. For questions, call (800) 733-5965 for customer service.

MANUFACTURER DISCLAIMS ALL OTHER WARRANTIES, EITHER EXPRESS OR IMPLIED, INCLUDING BUT NOT LIMITED TO IMPLIED WARRANTIES OF MERCHANTABILITY AND FITNESS FOR A PARTICULAR PURPOSE WITH REGARD TO THE PRODUCT. IN NO EVENT SHALL MANUFACTURER BE LIABLE FOR ANY SPECIAL, INCIDENTAL, INDIRECT, OR CONSEQUENTIAL DAMAGES WHATSOEVER (INCLUDING, WITHOUT LIMITATION, DAMAGES FOR LOSS OF BUSINESS PROFITS, INJURY TO PERSON OR PROPERTY, OR ANY OTHER INCIDENTAL, CONSEQUENTIAL OR PECUNIARY LOSS), OR FOR ATTORNEY'S FEES OR COSTS, ARISING OUT OF THE USE OR OPERATION OF PRODUCT.